



RATIFICATIONS
ETC.

Treaty Series No. 43 (2006)

FOURTH
SUPPLEMENTARY LIST
OF RATIFICATIONS, ACCESSIONS,
WITHDRAWALS, ETC., FOR 2005

[In continuation of Treaty Series No. 42 (2005), Cm 6729]

*Presented to Parliament
by the Secretary of State for Foreign and Commonwealth Affairs
by Command of Her Majesty
May 2006*

© Crown Copyright 2006

The text in this document (excluding the Royal Arms and departmental logos) may be reproduced free of charge in any format or medium providing it is reproduced accurately and not used in a misleading context. The material must be acknowledged as Crown copyright and the title of the document specified.

Any enquiries relating to the copyright in this document should be addressed to The Licensing Division, HMSO, St Clements House, 2-16 Colegate, Norwich NR3 1BQ. Fax: 01603 723000 or e-mail: licensing@cabint-office.x.gsi.gov.uk

FOURTH SUPPLEMENTARY LIST OF RATIFICATIONS, ACCESSIONS, WITHDRAWALS, ETC. FOR 2005

[In continuation of Treaty Series No. 42 (2005), Cm 6729]

N.B. Unless otherwise stated, the dates herein are the dates of deposit of the ratifications, etc. and are not necessarily effective dates, which must normally be determined from the terms of the treaties concerned.

Declarations, reservations etc. are given only in English, being either the texts of the originals or, alternatively, translations, from foreign language texts. In the latter case, the translations given are not in all cases official or authoritative; for an authoritative statement, the foreign language text of the original should be consulted.

This publication contains information received up to 31 December 2005

	<i>Date</i>	<i>Treaty Series and Command Nos</i>
ANIMALS & CONSERVATION		
Additional Protocol to the European Convention for the Protection of Animals during International Transport (ETS No.103)	Strasbourg 10 May, 1979	034/1991 Cm 1540
Denunciation-		
Greece	13 Sep., 2005	
Switzerland	23 Sep., 2005	
Entry into of Force for the Denunciation-		
Greece	01 Mar., 2006	
Switzerland	24 Mar., 2006	
Convention for the Protection and Development of the Marine Environment of the Wider Caribbean Region	Cartagena de Indias 24 Mar., 1983	038/1988 Cm 399
Ratification-		
Nicaragua	25 Aug., 2005	
Entry into Force-		
Nicaragua	25 Sep., 2005	
Convention on Wetlands of International Importance especially as Waterfowl Habitat, Ramsar, 02 February 1971, as amended by the Paris Protocol of 03 December 1982, with amendments to Articles 6 and 7 of the Convention adopted at the Extraordinary Conference of the Contracting Parties at Regina, Canada, 28 May to 03 June 1987	Regina 28 May, 1987	013/1996 Cm 3053
Accession-		
Sudan	07 Jan., 2005	
Entry into Force-		
Sudan	07 May, 2005	

	<i>Date</i>	<i>Treaty Series and Command Nos.</i>
ANIMALS & CONSERVATION (continued)		
Agreement on the Conservation of Populations of European Bats	London 04 Dec., 1991	009/1994 Cm 2472
Accession- Italy	20 Oct., 2005	
Entry into Force- Italy	19 Nov., 2005	
1995 Amendment to the Agreement on the Conservation of Populations of European Bats	Adopted Bristol - 18 July, 1995	009/2002 Cm 5386
Accession- Italy	20 Oct., 2005	
Entry into Force- Italy	19 Nov., 2005	
Amendment to the Agreement on the Conservation of Populations of European Bats	Adopted Bristol 24 July, 2000	049/2003 Cm 6069
Accession- Italy	20 Oct., 2005	
Entry into Force- Italy	19 Nov., 2005	
Agreement on the Conservation of Small Cetaceans of the Baltic and North Seas	New York 17 Mar., 1992	052/1995 Cm 2916
Accession- France	03 Oct., 2005	
Entry into Force- France	02 Nov., 2005	
Agreement on the Conservation of African-Eurasian Migratory Waterbirds	The Hague 15 Aug., 1996	013/2003 Cm 5784
Accession- Latvia (<i>with notification</i> *)	21 Oct., 2005	
Tunisia	26 Apr., 2005	
Entry into Force- Latvia	01 Jan., 2006	
Tunisia	01 July, 2005	

	<i>Date</i>	<i>Treaty Series and Command Nos.</i>
ANIMALS & CONSERVATION (continued)		
<i>Notification</i> *-		
<u>CENTRAL AUTHORITY</u>		
Ministry of Environment of the Republic of Latvia Peldu Str. 25 Riga, LV -1494 Tel.: +371 7026418 Fax: + 371 7820442 E-mail: pasts@vidm.gov.lv		
Cartagena Protocol on Biosafety to the Convention on Biological Diversity	Adopted Montreal 29 Jan., 2000	017/2004 Cm 6170
Accession-		
Cape Verde	01 Nov., 2005	
Kyrgyzstan	05 Oct., 2005	
Thailand	10 Nov., 2005	
Entry into Force-		
Cape Verde	30 Jan., 2006	
Kyrgyzstan	03 Jan., 2006	
Thailand	08 Feb., 2006	
ATOMIC ENERGY		
Convention on the Physical Protection of Nuclear Material	Vienna / New York 03 Mar., 1980	061/1995 Cm 2945
Accession-		
Kazakhstan	02 Sep., 2005	
Acceptance-		
Turkmenistan	22 Sep., 2005	
Entry into Force-		
Kazakhstan	02 Oct., 2005	
AVIATION		
Protocol for the Suppression of Unlawful Acts of Violence at Airports Serving International Civil Aviation, Supplementary to the Convention for the Suppression of Unlawful Acts against the Safety of Civil Aviation, signed at Montreal 23 September 1971 (United Kingdom version)	Montreal 24 Feb., 1988	020/1991 Cm1470
Extension- (Netherlands)		
Aruba (<i>with declaration* and reservation*</i>)	12 Dec., 2005	
Entry into Force-		
Aruba	11 Jan., 2006	

	<i>Date</i>	<i>Treaty Series and Command Nos.</i>
CULTURAL PROPERTY (continued)		
European Convention on the Protection of the Archaeological Heritage (Revised) [ETS No. 143]	Valletta 16 Jan., 1992	029/2002 Cm 5555
Ratification- Denmark (<i>with declaration</i> *)	16 Nov., 2005	
Entry into Force- Denmark	17 May, 2005	
<i>Declaration</i> * - Pursuant to Article 16, of the Revised Convention, Denmark declares that, until further notice, the Convention will not apply to the Faroe Islands and Greenland.		
CUSTOMS		
Agreement on the Importation of Educational Scientific and Cultural Materials	Lake Success 22 Nov., 1950	042/1954 Cmd 9185
Acceptance- Liberia	16 Sept., 2005	
Entry into Force- Liberia	16 Sept., 2005	
Protocol to the Agreement on the Importation of Educational, Scientific and Cultural Materials	New York UN 01 Mar., 1977	033/1984 Cmnd 9217
Accession- Liberia	16 Sept., 2005	
Entry into Force- Liberia	16 Dec., 2005	
International Convention to facilitate the Importation of Commercial Samples and Advertising Material	Geneva 07 Nov., 1952	081/1955 Cmd 9644
Accession- Liberia	16 Sept., 2005	
Entry into Force- Liberia	16 Oct., 2005	
Additional Protocol to the Convention concerning Customs Facilities for Touring, relating to the importation of Tourist Publicity Documents and Material	New York 04 June, 1954	070/1957 Cmnd 308
Accession- Liberia	16 Sept., 2005	
Lithuania	01 Dec., 2005	

	<i>Date</i>	<i>Treaty Series and Command Nos.</i>
CUSTOMS (continued)		
Entry into Force- Liberia Lithuania	15 Dec., 2005 01 Mar., 2006	
Customs Convention on the Temporary Importation of Private Road Vehicles	New York 04 June, 1954	001/1959 Cmnd 602
Accession- Liberia	16 Sept., 2005	
Entry into Force- Liberia	15 Dec., 2005	
Convention concerning Customs Facilities for Touring	New York 04 June, 1954	070/1957 Cmnd 308
Accession- Liberia Lithuania	16 Sept., 2005 01 Dec., 2005	
Entry into Force- Liberia Lithuania	15 Dec., 2005 01 Mar., 2006	
Customs Convention on the International Transport of Goods under cover of TIR Carnets (TIR Convention)	Adopted Geneva 14 Nov., 1975	056/1983 Cmnd 9032
Accession- Liberia	16 Sep., 2005	
Entry into Force- Liberia	01 Mar., 2006	
International Convention on the Harmonization of Frontier Controls of Goods	Adopted Geneva 21 Oct., 1982	040/1988 Cm 403
Accession- Liberia	16 Sep., 2005	
Entry into Force- Liberia	16 Dec., 2005	

	<i>Date</i>	<i>Treaty Series and Command Nos.</i>
<p>DISARMAMENT (continued)</p> <p>In that connection, the Argentine Republic rejects the declaration made by the United Kingdom of Great Britain and Northern Ireland extending the territorial scope of the above-mentioned Convention to the Malvinas Islands, South Georgia and the South Sandwich Islands which are an integral part of the Argentine national territory.</p> <p>It likewise rejects the British statement insofar as it refers to the intention to apply the said Convention to the so-called 'British Antarctic Territory' and affirms that that statement in no way affects the sovereign rights of the Argentine Republic over the Argentine Antarctic Sector which is an integral part of its national territory. In this connection, it is necessary to bear in mind the terms of article IV of the Antarctic Treaty, signed on 01 December 1959, to which the Argentine Republic and the United Kingdom are party.</p> <p>The Argentine Republic also recalls that the Malvinas Islands, South Georgia, the South Sandwich Islands and the surrounding maritime areas are an integral part of the Argentine national territory and, since they are being illegally occupied by the United Kingdom of Great Britain and Northern Ireland, they form the subject of a sovereignty dispute between both parties, a fact acknowledged by several international bodies.</p> <p>On this matter, the General Assembly of the United Nations has adopted resolutions 2065 (XX), 3160 (XXVIII), 31/49, 37/9, 38/12, 39/6,40/21,41/40,42/19 and 43/25, in which it recognizes the existence of the sovereignty dispute related to the 'Question of the Malvinas Islands' and urges the Governments of the Argentine Republic and of the United Kingdom of Great Britain and Northern Ireland to resume negotiations with a view to finding a peaceful, just and lasting solution to the dispute as soon as possible. For its part, the Special Committee on Decolonization of the United Nations has repeatedly issued similar calls, most recently through the resolution adopted on 15 June 2005. The General Assembly of the Organization of American States also adopted a further declaration on the question on 7 June 2005.</p> <p>¹ Refer to depositary notification C.N.1098.2005.TREATIES-9 of 01 November 2005</p>		

	<i>Date</i>	<i>Treaty Series and Command Nos.</i>
EXTRADITION (continued)		
<p>Note-</p> <p>On 05 September 2005, the Secretary-General of the Council of Europe, as depositary, received from the government of <i>Netherlands</i>, a declaration concerning Articles 28, paragraph 3, as follows:</p> <p>On 13 June 2002, the Council of the European Union adopted a framework decision on the European arrest warrant and surrender procedures between Member States (no. 2002/584/JHA) ("the Framework Decision"). Article 31, of the Framework Decision provides that from 01 January 2004, the Framework Decision will replace the corresponding provisions of the relevant extradition conventions applicable in the field of extradition in relations between the Member States.</p> <p>The Permanent Representation of the Kingdom of the Netherlands therefore has the honour to inform the Secretary General of the Council of Europe that pursuant to Article 28, paragraph 3, of the Convention on Extradition, the Convention shall no longer be applied in relations between the European part of the Kingdom of the Netherlands and the Member States of the European Union that are a Party to the Convention.</p> <p>The Permanent Representation of the Kingdom of the Netherlands would emphasise that the above does not alter the application of the Convention in relations between;</p> <ul style="list-style-type: none"> – the Netherlands Antilles and Aruba and the Parties to the Convention, or – the European part of the Kingdom and the Parties to the Convention that are not Member States of the European Union. 		
HEALTH		
Framework Convention on Tobacco Control	Geneva 21 May, 2003	013/2005 Cm 6514
Ratification-		
Afghanistan	19 Oct., 2005	
Austria	15 Sep., 2005	
Barbados	03 Nov., 2005	
Belgium (<i>with declaration</i> *)	01 Nov., 2005	
Benin	03 Nov., 2005	
Bolivia	15 Sep., 2005	
Brazil (<i>with declaration</i> +)	03 Nov., 2005	
Bulgaria	07 Nov., 2005	
Burundi	22 Nov., 2005	
Cambodia	15 Nov., 2005	
Cape Verde	04 Oct., 2005	
Central African Republic	07 Nov., 2005	
Democratic Republic Congo	28 Oct., 2005	
Iran	06 Nov., 2005	
Ireland	07 Nov., 2005	
Kiribati	15 Sep., 2005	
Malaysia	16 Sep., 2005	

	<i>Date</i>	<i>Treaty Series and Command Nos.</i>
HEALTH (continued)		
Mali	19 Oct., 2005	
Mauritania	28 Oct., 2005	
Namibia	07 Nov., 2005	
Nigeria	20 Oct., 2005	
Rwanda	19 Oct., 2005	
Saint Lucia	07 Nov., 2005	
Samoa	03 Nov., 2005	
Sudan	31 Oct., 2005	
United Arab Emirates	07 Nov., 2005	
Accession-		
Azerbaijan (<i>with declaration†</i>)	01 Nov., 2005	
Equatorial Guinea	17 Sep., 2005	
Guyana	15 Sep., 2005	
Approval-		
Portugal	08 Nov., 2005	
Entry into Force-		
Afghanistan	17 Jan., 2006	
Austria	14 Dec., 2005	
Azerbaijan	30 Jan., 2006	
Barbados	01 Feb., 2006	
Belgium	30 Jan., 2006	
Benin	01 Feb., 2006	
Bolivia	14 Dec., 2005	
Brazil	01 Feb., 2006	
Bulgaria	05 Feb., 2006	
Burundi	20 Feb., 2006	
Cambodia	13 Feb., 2006	
Cape Verde	02 Jan., 2006	
Central African Republic	05 Feb., 2006	
Democratic Republic Congo	26 Jan., 2006	
Equatorial Guinea	16 Dec., 2005	
Guyana	14 Dec., 2005	
Iran	04 Feb., 2006	
Ireland	05 Feb., 2006	
Kiribati	14 Dec., 2005	
Malaysia	15 Dec., 2005	
Mali	17 Jan., 2006	
Mauritania	26 Jan., 2006	
Namibia	05 Feb., 2006	
Nigeria	18 Jan., 2006	
Portugal	06 Feb., 2006	
Rwanda	17 Jan., 2006	
Saint Lucia	05 Feb., 2006	
Samoa	01 Feb., 2006	
Sudan	29 Jan., 2006	
United Arab Emirates	05 Feb., 2006	

	<i>Date</i>	<i>Treaty Series and Command Nos.</i>
<p>HEALTH (continued)</p> <p><i>Declaration*</i> <i>[Translation; Original: French]</i></p> <p>The Kingdom of Belgium declares that, for a dispute not resolved in accordance with paragraph 1, of Article 27 of the Convention, it accepts, as compulsory, ad hoc arbitration in accordance with procedures to be adopted by consensus by the Conference of the Parties.</p> <p><i>Declaration+</i> <i>[Translation; Original: Portuguese]</i></p> <p>With respect to matters relating to the support for economically viable alternative activities to tobacco, proposed by the Framework Convention for Tobacco Control of the World Health Organization, adopted by the World Health Assembly on 21 May 2003, Brazil makes the following interpretative declaration:</p> <p>Brazil declares that, in the context of preambular paragraphs 15 and 16, and of Articles 4 (6), 17 and 26 (3), of the Framework Convention for Tobacco Control of the World Health Organization, there is no prohibition to the production of tobacco or restriction to national policies of support for farmers currently dedicated to this activity.</p> <p>In addition, Brazil declares it to be imperative that the Convention be an effective instrument for the international mobilisation of technical and financial resources in order to help developing countries to make economic alternatives to the agricultural production of tobacco viable, as part of their national strategies for sustainable development.</p> <p>Lastly, Brazil also declares that it will not support any proposal with a view to utilising the Framework Convention for Tobacco Control of the World Health Organization as an instrument for discriminatory practices to free trade.</p> <p><i>Declaration†</i></p> <p>"The Republic of Azerbaijan declares that none of the rights, obligations and provisions set out in the Convention shall be applied by the Republic of Azerbaijan in respect of the Republic of Armenia.</p> <p>In accordance with paragraph 2 of Article 27, of the Convention, the Republic of Azerbaijan declares that, where any disputes arising between the Republic of Azerbaijan and any Party concerning the implementation and interpretation of the Convention can not be settled by negotiations and other diplomatic means, according to paragraph 1 of the above-mentioned Article such disputes shall be settled through arbitration."</p>		

	<i>Date</i>	<i>Treaty Series and Command Nos.</i>
HUMAN RIGHTS		
Convention on consent to Marriage, Minimum Age for Marriage and Registration of Marriages	New York 10 Dec., 1962 -31 Dec., 1963	102/1970 Cmnd 4538
Accession-		
Liberia	16 Sep., 2005	
Libya	06 Sep., 2005	
Entry into Force-		
Liberia	15 Dec., 2005	
Libya	05 Dec., 2005	
International Covenant on Economic, Social and Cultural Rights	Adopted New York 16 Dec., 1966	006/1977 Cmnd 6702
<p>Note-</p> <p>On 25 November 2005, the Secretary-General of the United Nations, as depositary, received from the government of <i>Austria</i>, a communication, concerning the declaration made by Pakistan upon signature¹, as follows;</p> <p>"The Government of Austria has examined the declaration made by the Islamic Republic of Pakistan upon signature of the International Covenant on Economic, Social and Cultural Rights.</p> <p>The application of the provisions of the Covenant has been made subject to provisions of national law. This makes it unclear to what extent the Islamic Republic of Pakistan considers itself bound by the obligations of the treaty and therefore raises concerns as to the commitment of the Islamic Republic of Pakistan to the object and purpose of the Covenant.</p> <p>The Government of Austria considers that the declaration made by the Islamic Republic of Pakistan to the Covenant in substance constitutes a reservation and that this reservation is incompatible with the object and the purpose of the Covenant.</p> <p>The Government of Austria therefore objects to the reservation made by the Islamic Republic of Pakistan to the Covenant.</p> <p>¹ Refer to depositary notification C.N.1184.2004. Treaties- 7 of 17 November 2004</p> <p>Note-</p> <p>On 11 November 2005, the Secretary-General of the United Nations, as depositary, received from the government of <i>France</i>, a objection to declaration made by Pakistan upon signature¹, as follows;</p> <p><i>[Translation: Original: French]</i></p>		

	Date	Treaty Series and Command Nos.
<p>HUMAN RIGHTS (continued)</p> <p>The Government of the French Republic has examined the declaration made by the Government of the Islamic Republic of Pakistan upon signing the International Covenant on Economic, Social and Cultural Rights, adopted on 16 December 1966, according to which 'The provisions of the Covenant shall be subject to the provisions of the constitution of the Islamic Republic of Pakistan.</p> <p>Such a declaration is general in scope and unclear and could render the provisions of the Covenant null and void. The Government of the French Republic considers that the said declaration constitutes a reservation which is incompatible with the object and purpose of the Covenant and it therefore objects to that declaration. This objection does not preclude the entry into force of the Covenant between France and Pakistan.</p> <p>¹ Refer to depositary notification C.N .1184.2004. Treaties- 7 of 17 November 2004</p> <p>Note-</p> <p>On 08 November 2005, the Secretary-General of the United Nations, as depositary, received from the <i>Federal Republic Germany</i>, an objection to declaration made by Pakistan upon signature¹, as follows;</p> <p><i>[Translation: Original: Germany]</i></p> <p>"The Government of the Federal Republic of Germany has carefully examined the declaration made by the Government of the Islamic Republic of Pakistan upon signature of the International Covenant on Economic, Social and Cultural Rights.</p> <p>The Government of the Islamic Republic of Pakistan declared that it "will implement the (...) Provisions in a progressive manner, in keeping with the existing economic conditions and the development plans of the country". Since some fundamental obligations resulting from the International Covenant on Economic, Social and Cultural Rights, including in particular the principle of non-discrimination found in Article 2 (2), thereof, are not susceptible to progressive implementation and are thus to be guaranteed immediately, the declaration represents a significant qualification of Pakistan's commitment to guarantee the human rights referred to in the Covenant.</p> <p>The Government of the Islamic Republic of Pakistan also declared that "the provisions of the Covenant shall, however, be subject to the provisions of the constitution of the Islamic Republic of Pakistan". The Government of the Federal Republic of Germany is of the opinion that this leaves it unclear to which extent the Islamic Republic of Pakistan considers itself bound by the obligations resulting from the Covenant.</p> <p>The Government of the Federal Republic of Germany therefore regards the above-mentioned declarations as reservations and as incompatible with the object and purpose of the Covenant.</p>		

	<i>Date</i>	<i>Treaty Series and Command Nos.</i>
<p>HUMAN RIGHTS (continued)</p> <p>The Government of the Federal Republic of Germany therefore objects to the above- mentioned reservations made by the Government of the Islamic Republic of Pakistan to the International Covenant on Economic, Social and Cultural Rights. This objection shall not preclude the entry into force of the Covenant between the Federal Republic of Germany and the Islamic Republic of Pakistan."</p> <p>¹ Refer to depositary notification C.N .1184.2004. Treaties- 7 of 17 November 2004</p> <p>Note-</p> <p>On 10 November 2005, the Secretary-General of the United nations, as depositary, received from the government of <i>Latvia</i>, an objection to declaration made by Pakistan upon signature¹, as follows;</p> <p>"The Government of the Republic of Latvia has carefully examined the declaration made by the Islamic Republic of Pakistan to the International Covenant on [Economic, Social and Cultural] Rights upon accession.</p> <p>The Government of the Republic of Latvia considers that the declaration contains general reference to national law, making the provisions of International Covenant subject to the national law of the Islamic Republic of Pakistan.</p> <p>Thus, the Government of the Republic of Latvia is of the opinion that the declaration is in fact a unilateral act deemed to limit the scope of application of the International Covenant and therefore, it shall be regarded as a reservation.</p> <p>Moreover, the Government of the Republic of Latvia noted that the reservation does not make it clear to what extent the Islamic Republic of Pakistan considers itself bound by the provisions of the International Covenant and whether the way of implementation of the provisions of the International Covenant is in line with the object and purpose of the International Covenant.</p> <p>The Government of the Republic of Latvia recalls that customary international law as codified by Vienna Convention on the Law of Treaties, and in particular Article 19 (c), sets out the reservations that are incompatible with the object and purpose or a treaty are not permissible.</p> <p>The Government of the Republic of Latvia therefore objects to the aforesaid reservations made by the Islamic Republic of Pakistan to the International Covenant on [Economic,] Social and Cultural Rights.</p> <p>However, this objection shall not preclude the entry into force of the International Covenant between the Republic of Latvia and the Islamic Republic of Pakistan. Thus, the International Covenant will become operative without the Islamic Republic of Pakistan benefiting from its reservation."</p> <p>¹ Refer to depositary notification C.N .1184.2004. Treaties- 7 of 17 November 2004</p>		

	<i>Date</i>	<i>Treaty Series and Command Nos.</i>
<p>HUMAN RIGHTS (continued)</p> <p>Note-</p> <p>On 17 November 2005, the Secretary-General of the United Nations, as depositary, received from the government of <i>Norway</i>, an objection to declaration made by Pakistan upon signature¹, as follows;</p> <p>"The Government of the Kingdom of Norway have examined the Declaration made by the Government of the Islamic Republic of Pakistan on 3 November 2004, on signature of the International Covenant on Economic, Social and Cultural Rights (New York, 16 December 1966).</p> <p>According to the first part of the Declaration, the Government of the Islamic Republic of Pakistan "will implement the (...) provisions (embodied in the Covenant) in a progressive manner, in keeping with the existing economic conditions and the development plans of the country". Since some fundamental obligations embodied in the Covenant, including in particular the principle of non- discrimination found in Article 2 (2), thereof, are not susceptible to progressive implementation and are thus to be guaranteed immediately, the Government of the Kingdom of Norway consider that this part of the Declaration represents a significant qualification of Pakistan's commitment to guarantee the provisions embodied in the Covenant.</p> <p>According to the second part of the Declaration, "the provisions of the Covenant shall, however, be subject to the provisions of the constitution of the Islamic Republic of Pakistan". The Government of the Kingdom of Norway note that a general reference to national law without specifying its contents does not clearly define for the other States Parties to the Convention the extent to which the reserving State has accepted the obligations of the Convention.</p> <p>The Government of the Kingdom of Norway consider that both parts of the Government of the Islamic Republic of Pakistan's Declaration seek to limit the scope of the Covenant on a unilateral basis and therefore constitute reservations. The Government of the Kingdom of Norway consider both reservations to be incompatible with the object and purpose of the Covenant, and therefore object to the reservations made by the Government of the Islamic Republic of Pakistan.</p> <p>This objection does not preclude the entry into force in its entirety of the Covenant between the Kingdom of Norway and the Islamic Republic of Pakistan, without the Islamic Republic of Pakistan benefiting from its reservations."</p> <p>¹ Refer to depositary notification C.N.1184.2004. Treaties- 7 of 17 November 2004</p> <p>International Covenant on Civil and Political Rights</p>	<p>New York 16 Dec., 1966</p>	<p>006/1977 Cmnd 6702</p>
<p>Note-</p> <p>On 18 August 2005, the Secretary-General of the United Nations, as depositary, received a notification from the government of <i>Ecuador</i>, as follows;</p>		

	Date	Treaty Series and Command Nos.
<p>HUMAN RIGHTS (continued)</p> <p>Republic Ecuador Ministry of foreign Affairs</p> <p style="text-align: right;">No. 35582-GM-SM-DGDHSA Quito, 18 August 2005</p> <p>Re Notification of the declaration of a state of emergency in Sucumbios and Orellana Province:</p> <p>Sir</p> <p>In accordance with article 4, of the International Covenant on Civil and Political Rights, of which Ecuador is a State Party, and on behalf of the national Government, I am notifying you of the declaration of a state of emergency in Sucumbios and Orellana Provinces, decreed by Mr. Alfredo Palacio, President of the Republic, in accordance with articles 180 and 181, of the Ecuadorian Constitution in force.</p> <p>In should be noted that this measure is motivated by the serious internal unrest caused by crime waves in the aforementioned provinces. The declaration of an emergency was made by means of <i>Executive Decree No.426</i> of 17 August 2005, a copy of which is attached.</p> <p>Accept Sir, the assurances of my highest consideration.</p> <p style="text-align: center;"><i>(signed)</i> Antonio Parra Gil Minister for Foreign Affairs</p> <p>His Excellency Kofi Annan Secretary-General United Nations New York</p> <p style="text-align: center;">No. 426</p> <p style="text-align: center;">Alfredo Palacio Gonzalez</p> <p style="text-align: center;">Constitutional President of the Republic</p> <p>Whereas:</p> <p>A situation of conflict has arisen, provoked with clear destructive intent by groups with an interest in causing chaos and destabilising the normal flow of activity in the provinces of Sucumbios and Orellana, by the take-over of oil wells and other oil facilities, destructive acts, detonation of explosives, damaging oil facilities leading to a severe decline in oil production, destruction of private, public and State property, theft, take-over of airports and closing of roads and bridges, as well as the majority of access points to oil wells, causing serious damage to the national economy currently exceeding twenty million dollars, and placing State security at high risk, all of which represents serious internal unrest;</p>		

	<i>Date</i>	<i>Treaty Series and Command Nos.</i>
<p>HUMAN RIGHTS (continued)</p> <p>The serious efforts which the National Government has been making, especially in recent days, to find a solution to the various causes of the interruption as initially determined, based on dialogue, have not been matched by the local leaders and authorities, who, on the contrary, have escalated their manifestations to the point where they have degenerated into the aforementioned criminal acts;</p> <p>The Political Constitution of the Republic establishes that the non-renewable and natural resources and in general, the products of the subsoil, minerals and substances different in nature from the soil are the inalienable and indefeasible property of the State;</p> <p>The events which occurred in these areas have seriously compromised national security, and the interruptions at oil facilities as well as criminal and destructive acts have gravely affected the economy and national development;</p> <p>It is the duty of the National Government to guarantee the security and integrity of its citizens, as well as to preserve the peace and public order in accordance with the Constitution and laws of the Republic; and</p> <p>In exercise of the powers conferred on him by articles 180 and 181, of the Political constitution of the Republic and the National Security Act,</p> <p>Decrees:</p> <p style="text-align: center;">Article 1</p> <p>That a state of emergency is hereby declared in Sucumbios and Orellana provinces.</p> <p style="text-align: center;">Article 2</p> <p>That Sucumbios and Orellana provinces shall be established as a security zone.</p> <p style="text-align: center;">Article 3</p> <p>That prior censorship shall be ordered of the mass communications media operating in the security zone.</p> <p style="text-align: center;">Article 4</p> <p>That the rights set out in article 23, paragraphs 9, 12, 13, 14 and 19 of the Political Constitution of the Republic are hereby suspended for the duration of the state of emergency.</p> <p style="text-align: center;">Article 5</p> <p>That the police force may be used, through the relevant organs, to establish the necessary conditions to allow the security of oil wells and facilities to be preserved, as well as that of airports, roads and bridges located in the aforementioned provinces, in such a way as to re-establish peaceful civilian life and the regular conduct of public and private activity in this zone.</p>		

	<i>Date</i>	<i>Treaty Series and Command Nos.</i>
<p>HUMAN RIGHTS (continued)</p> <p style="text-align: center;">Article 6</p> <p>That the necessary human and material resources and public and private sector services shall be mobilised in accordance with article 181, paragraph 8, of the Political Constitution of the Republic and articles 54 and 55, of the National Security Act and the requisitions made in accordance with the corresponding regulations of the Act.</p> <p style="text-align: center;">Article 7</p> <p>That the offences and crimes committed in the security zone established by this Decree shall be punishable under article 145, of the National Security Act for military personnel; those committed by civilians and other persons, in accordance with the applicable constitutional and legal provisions.</p> <p style="text-align: center;">Article 8</p> <p>That any attempt or commission of a crime relating to sabotage or interruption of public services shall be subject to administrative and criminal sanction, in accordance with the Political Constitution and the law.</p> <p style="text-align: center;">Article 9</p> <p>That the Ministry of the Economy and Finance shall provide the economic resources needed to deal with the emergency.</p> <p>Final Article</p> <p>That the execution of this Decree, which shall enter into force as of today's date, without prejudice to its publication in the Official Gazette, shall be entrusted to the Minister of Government and Police, the Minister of Defence and the Minister of the Economy and Finance.</p> <p>Done at the National Palace in Quito on 17 August 2005.</p> <p style="text-align: center;"><i>(signed)</i></p> <p style="text-align: center;">Alfredo Palacio Gonzalez</p> <p style="text-align: center;">Constitutional President of the Republic</p> <p>Note-</p> <p>On 15 November 2005, the Secretary-General of the United Nations, as depositary, received an objection from the government of the <i>Federal Republic of Germany</i>¹, as follows;</p> <p style="text-align: center;"><i>[Courtesy Translation :Original: German]</i></p> <p>The Government of the Federal Republic of Germany has carefully examined the declaration made by the Government of Mauritania on 17 November 2004, in respect of Articles 18 and 23 (4), of the International Covenant on Civil and Political Rights.</p>		

	<i>Date</i>	<i>Treaty Series and Command Nos.</i>
<p>HUMAN RIGHTS (continued)</p> <p>The Government of the Federal Republic of Germany is of the opinion that the limitations set out therein leave it unclear to which extent Mauritania considers itself bound by the obligations resulting from the Covenant.</p> <p>The Government of the Federal Republic of Germany therefore regards the above-mentioned declaration as a reservation and as incompatible with the object and purpose of the Covenant.</p> <p>The Government of the Federal Republic of Germany therefore objects to the above-mentioned reservation made by the Government of Mauritania to the International Covenant on Civil and Political Rights. This objection shall not preclude the entry into force of the Covenant between the Federal Republic of Germany and Mauritania.</p> <p>¹ Refer to depositary notification C.N.789.2004. Treaties- 8 of 23 November 2004</p> <p>Note-</p> <p>On 14 October 2005, the Secretary-General of the United Nations, as depositary, received a notification from the government of Guatemala, made under article 4 (3), of the above Covenant, notifying of a derogation from obligations under the Covenant, as follows;</p> <p>The decision was adopted by the Congress of Guatemala on 6 October 2005, in Legislative Decree No.70-2005, and it entered into force on 10 October 2005. The Decree recognizes a state of national disaster in the affected areas for a period of 30 days.</p> <p>The Government of Guatemala specified that it has derogated from the provisions relating to the right of liberty of movement and the right of freedom of action, except for the right of persons not to be harassed for their opinions or for acts which do not violate the law. Moreover, the articles of the Covenant which were derogated from were not indicated.</p> <p><i>[Translation: Original: Spanish]</i></p> <p>Ministry of Foreign Affairs</p> <p>Guatemala</p> <p>No. 3903</p> <p>Sir:</p> <p>I have the honour to address you pursuant to article 4, of the International Covenant on Civil and Political Rights and to inform you that the Government of Guatemala wishes to notify the other States parties about a derogation from obligations under the Covenant.</p>	<p>13 October 2005</p>	

	<i>Date</i>	<i>Treaty Series and Command Nos.</i>
<p>HUMAN RIGHTS (continued)</p> <p>As you know, the people of Guatemala are facing a tragic situation as a result of the devastating impact of hurricane Stan, a natural event that caused extensive flooding and damage in many regions of the country, including the obliteration of roads and bridges and above all an irreparable loss of human life. This extreme situation has compelled the Government to decree a state of exception amounting to a national disaster, in order to guarantee that it can protect the population in the affected regions.</p> <p>Accordingly, it has derogated from the provisions relating to the right of liberty of movement and the right of freedom of action, except for the right of persons not to be harassed for their opinions or for acts which do not violate the law.</p> <p>The decision was adapted by the Congress of Guatemala on 06 October 2005, in Legislative Decree No. 70-2005, and it entered into force on 10 October. The Decree recognizes a state of national disaster in the affected areas for a period of 30 days.</p> <p>Accept, Sir, the assurances of my highest consideration.</p> <p style="text-align: right;"><i>(Signed)</i> Marta Altolaquirre Laraondo Vice-Minister for Foreign Affairs</p> <p>H.E. Kofi Annan, Secretary-General of the United' Nation New York</p> <p style="text-align: center;">OFFICIAL GAZETTE OF CENTRAL AMERICA</p> <p>Vol. CCLXXVII Guatemala City, Monday, 10 October 2005 No. 78</p> <p style="text-align: center;">LEGISLATIVE BRANCH</p> <p style="text-align: center;">The Congress of the Republic of Guatemala</p> <p>Decree No. 70-2005</p> <p>The Congress of the Republic of Guatemala,</p> <p>Considering that, according to the information provided by the authorities and the media, the population of the entire country, especially in the south, is suffering because of the inclement weather and atmospheric disturbances that have occurred in recent days as a result of hurricane Stan;</p> <p>Considering that consequently, on 5 October 2005, the President of the Republic in session with the Council of Ministers issued, for the reasons set out in the preambular paragraphs, Executive Decree No. 1-2005, which was published in the <i>Official Gazette</i> of 6 October 2005, and which declared a state of national disaster for 30 days throughout the territory of the Republic;</p>		

	<i>Date</i>	<i>Treaty Series and Command Nos.</i>
<p>HUMAN RIGHTS (continued)</p> <p>Considering that the honourable Congress of the Republic cannot remain uninvolved in a situation affecting most of the population of the country, and that it is therefore incumbent upon it to ratify Executive Decree No.1-2005 dated 05 October 2005, issued by the President of the Republic in session with the Council of Ministers, having amended it as deemed appropriate;</p> <p>Has therefore decreed as follows, exercising the powers conferred upon it by articles 138, 171, paragraph (a), and 176, of the Political Constitution of the Republic:</p> <p style="text-align: center;">Article 1.</p> <p>Executive Decree No. 1-2005 of 05 October 2005, issued by the President of the Republic in session with the Council of Ministers, which declares a state of national disaster for a period of 30 days in the areas affected, is hereby ratified.</p> <p style="text-align: center;">Article 2.</p> <p>The President of the Republic is empowered to carry out the measures set out in the Executive Decree hereby ratified, and to establish maximum or minimum prices for emergency articles in order to avoid their hoarding.</p> <p style="text-align: center;">Article 3.</p> <p>Article 4 of Executive Decree No.1-2005 issued by the President of the Republic is hereby amended [by the insertion of a first paragraph], as follows:</p> <p>" Article 4.Restricted rights. Restrictions are placed on the full application of the rights recognized under article 5, of the Political Constitution of the Republic of Guatemala, with the exception of the last part of that article, and on article 26, of the Constitution, in the areas declared to be affected areas by Guatemala's National Co-ordinator for Natural Disaster Reduction (CONRED), who shall report to the Congress of the Republic within five days of having issued her declaration."</p> <p style="text-align: center;">Article 4.</p> <p>As long as the declaration of national disaster is in effect, the Congress of the Republic, acting through a special committee composed of one deputy from each of the legislative blocs, shall monitor all related activities and actions,</p> <p style="text-align: center;">Article 5.</p> <p>Charitable and aid organizations duly registered in the relevant register of the municipality concerned and in the unified tax register of the Department of Tax Administration (SAT) shall, during the period covered by Executive Decree No.1-2005 of 05 October 2005, be exempt from payment of import duties and value- added tax on imports of food, clothing, drugs, construction materials, tarpaulins, tents and blankets that are intended specifically to help persons affected by hurricane Stan.</p>		

	<i>Date</i>	<i>Treaty Series and Command Nos.</i>
<p>HUMAN RIGHTS (continued)</p> <p>The entry of the exempted goods and merchandise shall be controlled and supervised by the Department of Tax Administration, which shall keep a detailed record for its own internal analysis and for transmission to the monitoring committee established by the Congress of the Republic.</p> <p style="text-align: center;">Article 6.</p> <p>This Decree shall not require completion of the procedure set out in article 125, of the Organic Law on the Legislative Branch contained in Decree No. 63-94 of the Congress of the Republic, and shall therefore be published immediately.</p> <p style="text-align: center;">Article 7.</p> <p>This Decree was declared to be a national emergency decree by a more than two-thirds vote in favour by the deputies of the Congress of the Republic, having been adopted after a single debate. It shall enter into force on the day of its publication in the <i>Official Gazette</i>.</p> <p>To be sent to the Executive Branch for approval, promulgation and publication.</p> <p>Issued at the Palace of the Legislature in Guatemala City on 6 October 2005.</p> <p style="text-align: right;"><i>(Signed)</i> Jorge Méndez Herbruger President of Congress</p> <p style="text-align: right;"><i>(Signed)</i> Mauricio León Corado Secretary</p> <p style="text-align: right;"><i>(Signed)</i> Luis Fernando Perez Martinez Secretary</p> <p>National Palace, Guatemala City, 7 October 2005</p> <p style="text-align: center;">FOR PUBLICATION AND IMPLEMENTATION</p> <p style="text-align: right;"><i>(Signed)</i> Oscar Berger Perdomo President of the Republic</p> <p style="text-align: right;"><i>(Signed)</i> Jorge Raul Arroyave Reyes General Secretary, Office of the President</p> <p style="text-align: right;"><i>(Signed)</i> Carlos Umberto Aldana Villanueva Minister of National. Defence</p> <p style="text-align: right;"><i>(Signed)</i> Carlos Viemann Montes Minister of the Interior</p> <p style="text-align: right;"><i>(Signed)</i> Maria Antonieta de Bonilla Minister of Public Finance</p> <p style="text-align: right;"><i>(Signed)</i> [Illegible] Officer in charge of the Office of the Vice-Minister of Education</p>		

	<i>Date</i>	<i>Treaty Series and Command Nos.</i>
<p>HUMAN RIGHTS (continued)</p> <p style="text-align: center;"><i>(Signed)</i> Manuel Eduardo Castillo Arroyo Minister of Communications, Infrastructure and Housing</p> <p style="text-align: center;"><i>(Signed)</i> Marco Tulio Sosa Ramirez Minister of Public Health and Social Welfare</p> <p style="text-align: center;">(E-628-2005) 10 October 2005</p> <p style="text-align: center;">EXECUTIVE BRANCH</p> <p style="text-align: center;">Office of the President of the Republic</p> <p>It has been agreed to declare a three-day period of national mourning throughout the territory of the Republic in view of the irreparable loss of life caused by the passage of hurricane Stan through various departments, and the national flag shall be flown at half mast at the National Palace and at all government buildings.</p> <p style="text-align: center;">EXECUTIVE AGREEMENT NO. 522-2005 Guatemala City, 7 October 2005</p> <p>The President of the Republic,</p> <p>Considering that as President, in addition to acting as Head of State and exercising the functions of the executive branch by popular mandate, he has been given under the Political Constitution of the Republic the important duty of representing national unity and watching over the interests of the entire Guatemalan population;</p> <p>Considering that the torrential rains and the resulting flooding and mudslides produced by hurricane Stan in recent days battered various regions of the country and in addition to damaging infrastructure, agriculture and the property of individuals, caused an irreparable loss of human life, leaving many Guatemalan families in mourning, for which reasons the Government of the Republic is declaring a period of national mourning and expressing its sorrow to the families of the victims;</p> <p>Has therefore agreed as follows, exercising the powers confirmed on him by article 183, paragraph (a) of the Political Constitution of the Republic of Guatemala, and acting on the basis of the second paragraph of article 182, of the Constitution:</p> <p style="text-align: center;">Article 1</p> <p>National mourning is hereby declared throughout the territory of the Republic for three days, because of the irreparable loss of life caused by the impact of hurricane Stan as it passed through several departments, and the national flag shall be flown at half mast at the National Palace and at all government buildings.</p>		

	<i>Date</i>	<i>Treaty Series and Command Nos.</i>
<p>HUMAN RIGHTS (continued)</p> <p style="text-align: center;">Article 2.</p> <p>The President conveys personally and on behalf of the Government of the Republic his grief and his condolences to the families of those who died as a result of the tragic natural disaster, and calls upon the entire population to share, in solidarity, the profound sorrow felt over such a deplorable loss that has cast the nation into mourning</p> <p style="text-align: center;">Article 3.</p> <p>This Agreement shall enter into force on the date of its publication in the <i>Official Gazette of Central America</i>.</p> <p style="text-align: center;">FOR PROCLAMATION</p> <p style="text-align: center;"><i>(Signed)</i> Oscar Berger Perdomo President of the Republic</p> <p style="text-align: center;"><i>(Signed)</i> Carlos Vielmann Montes Minister of the Interior</p> <p style="text-align: center;"><i>(Signed)</i> Jorge Raul Arroyave Reyes General Secretary of the Office of the President</p>		
<p>Convention on the Elimination of All Forms of Discrimination against Women</p> <p>Note-</p> <p>On 05 October 2005, the Secretary-General of the United Nations, as depositary, received an objection from the government of <i>Austria</i>¹, as follows;</p> <p>"The Government of Austria has examined the reservation made by the Government of the United Arab Emirates upon accession to the Convention on the Elimination of All Forms of Discrimination against Women regarding articles 2 (f), 9, 15 (2), 16 and 29 (1).</p> <p>The Government of Austria finds that the reservations to article 2 (f), article 9, article 15 (2) and article 16, if put into practice, would inevitably result in discrimination against women on the basis of sex. This is contrary to the object and purpose of the Convention.</p> <p>The Government of Austria would like to recall that, according to article 28 (2), of the Convention as well as customary international law as codified in the Vienna Convention on the Law of Treaties, a reservation incompatible with the object and purpose of a treaty shall not be permitted.</p> <p>It is in the common interest of States that treaties to which they have chosen to become parties are respected as to their object and purpose, by all parties, and that States are prepared to undertake any legislative changes necessary to comply with their obligations under the treaties.</p>	<p>New York 18 Dec., 1979</p>	<p>002/1989 Cm 643</p>

	<i>Date</i>	<i>Treaty Series and Command Nos.</i>
<p>HUMAN RIGHTS (continued)</p> <p>For these reasons, the Government of Austria objects to the aforementioned reservations made by the United Arab Emirates to the Convention on the Elimination of All Forms of Discrimination against Women.</p> <p>This position, however, does not preclude the entry into force in its entirety of the Convention between the United Arab Emirates and Austria."</p> <p>¹ Refer to depositary notification C.N 1223.2004. Treaties- 11 of 01 December 2004</p> <p>Note-</p> <p>On 09 November 2005, the Secretary-General of the United Nations, as depositary, received an objection from the government of the <i>Federal Republic of Germany</i>¹, as follows;</p> <p><i>[Translation: Original: German]</i></p> <p>The Government of the Federal Republic of Germany has carefully examined the reservations made by the Government of the United Arab Emirates upon accession to the International Convention on the Elimination of All Forms of Discrimination Against Women. It is of the opinion that from the reservations to Article 2 (f), Article 15 (2) and Article 16, which give a specific legal system, the Islamic Sharia, precedence as a rule over the provisions of the Convention, it is unclear to what extent the UAE feels bound by the obligations of the Convention.</p> <p>Moreover, the reservations to Article 9 (2) and Article 15 (2), would in practice result in a legal situation that discriminated against women, which would not be compatible With the object and purpose of the Convention.</p> <p>Pursuant to Article 28 (2), of the Convention, reservations that are incompatible with the object and purpose of the present Convention shall not be permitted.</p> <p>The Government of the Federal Republic of Germany therefore objects to the above-mentioned reservations made by the Government of the United Arab Emirates to the Convention on the Elimination of All Forms of Discrimination Against Women. This objection shall not preclude the entry into force of the Convention between the Federal Republic of Germany and the United Arab Emirates.</p> <p>¹ Refer to depositary notification C.N 1223.2004. Treaties- 11 of 01 December 2004</p> <p>Note-</p> <p>On 04 October 2005, the Secretary-General of the United Nations, as depositary, received an objection from the government of <i>Greece</i>¹, as follows;</p> <p>"The Government of the Hellenic Republic have examined the reservations made by the Government of the United Arab Emirates upon accession to the Convention on the Elimination of All Forms of Discrimination against Women (New York, 18 December 1979).</p>		

	<i>Date</i>	<i>Treaty Series and Command Nos.</i>
<p>HUMAN RIGHTS (continued)</p> <p>The Government of the Hellenic Republic consider that the reservations in respect of Articles 2 (f), which is a core provision of the above Convention, 15 paragraph 2 and 16, all containing a reference to the provisions of the Islamic Shariah, are of unlimited scope and, therefore, incompatible with the object and purpose of the Convention.</p> <p>The Government of the Hellenic Republic recall that, according to Article 28, paragraph 2, of the Convention, a reservation incompatible with the object and purpose of the Convention shall not be permitted.</p> <p>Consequently, the Government of the Hellenic Republic object to the aforementioned reservations made by the Government of the United Arab Emirates. This objection shall not preclude the entry into force of the Convention between Greece and the United Arab Emirates."</p> <p>¹ Refer to depositary notification C.N 1223.2004. Treaties- 11 of 01 December 2004</p> <p>Note-</p> <p>On 04 October 2005, the Secretary-General of the United Nations, as depositary, received an objection from the government of Latvia¹, as follows;</p> <p>"The Government of the Republic of Latvia has carefully examined the reservations made by the United Arab Emirates to the Convention on the Elimination of All Forms of Discrimination against Women upon accession to the Convention regarding Article 2 (f), Article 15 (2), and Article 16 thereof.</p> <p>The Government of the Republic of Latvia considers that the reservations made by the United Arab Emirates contain general reference to national law without making specific reference to the extent of the obligations the United Arab Emirates are accepting.</p> <p>Moreover, the Government of the Republic of Latvia is of the opinion that these reservations contradict to the object and purpose of the Convention and in particular to obligation all States Parties to pursue by all appropriate means and without delay a policy of eliminating discrimination against women.</p> <p>The Government of the Republic of Latvia recalls Part VI, Article 28 of the Convention setting out that reservations incompatible with the object and purpose of the Convention are not Permitted.</p> <p>The Government of the Republic of Latvia therefore objects to the aforesaid reservations made by the United Arab Emirates to the Convention on the Elimination of All Forms of Discrimination against Women.</p> <p>However, this objection shall not preclude the entry into force of the Convention between the Republic of Latvia and the United Arab Emirates."</p> <p>¹ Refer to depositary notification C.N 1223.2004. Treaties- 11 of 01 December 2004</p>		

	<i>Date</i>	<i>Treaty Series and Command Nos.</i>
<p>HUMAN RIGHTS (continued)</p> <p>Note-</p> <p>On 05 October 2005, the Secretary-General of the United Nations, as depositary, received an objection from the government of Sweden¹, as follows;</p> <p>“The Government of Sweden has examined the reservations made by United Arab Emirates upon acceding to the Convention on the Elimination of All Forms of Discrimination Against Women, regarding Article 2 (f), 9, 15 (2) and 16.</p> <p>The Government of Sweden notes that the said articles are being made subject to reservations referring to national legislation and Sharia principles.</p> <p>The Government of Sweden is of the view that these reservations which do not clearly specify the extent of the United Arab Emirates derogation from the provisions in question raises serious doubts as to the commitment of the United Arab Emirates to the object and purpose of the Convention. The reservations in question, if put into practice, would inevitably result in discrimination against women on the basis of sex, which is contrary to the object and purpose of the Convention. It should be borne in mind that the principles of the equal rights of women and men and of non-discrimination on the basis of sex are set forth in the Charter of the United Nations as one of the purposes of the organization, as well as in the declaration of Human Rights of 1948.</p> <p>According to article 28(2), of the Convention, and to international customary law as codified in the Vienna convention on the Law of the Treaties, reservations incompatible with the object and purpose of the Convention shall not be permitted. It is in the common interest of States that treaties to which they have chosen to become parties are respected as to their object and purpose, by all parties, and that States are prepared to undertake any legislative changes necessary to comply with their obligations under the treaties.</p> <p>The Government of Sweden therefore objects to the aforesaid reservations made by the Government of the United Arab Emirates to the Convention on the Elimination of All Forms of Discrimination Against Women and considers them null and void.</p> <p>This objection shall not preclude the entry into force of the Convention between the United Arab Emirates and Sweden. The convention enters into force in its entirety between the two States, without the United Arab Emirates benefiting from its reservations.”</p> <p>¹ Refer to depositary notification C.N.1223.2004. Treaties- 11 of 01 December 2004</p>		

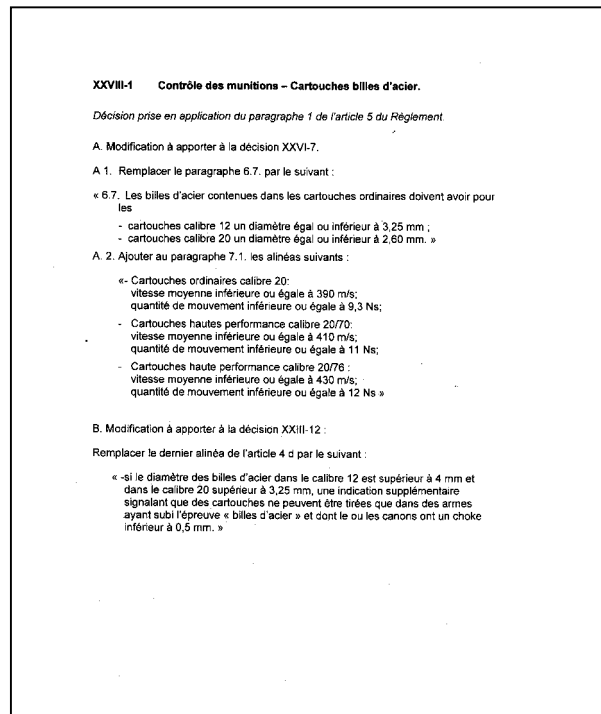
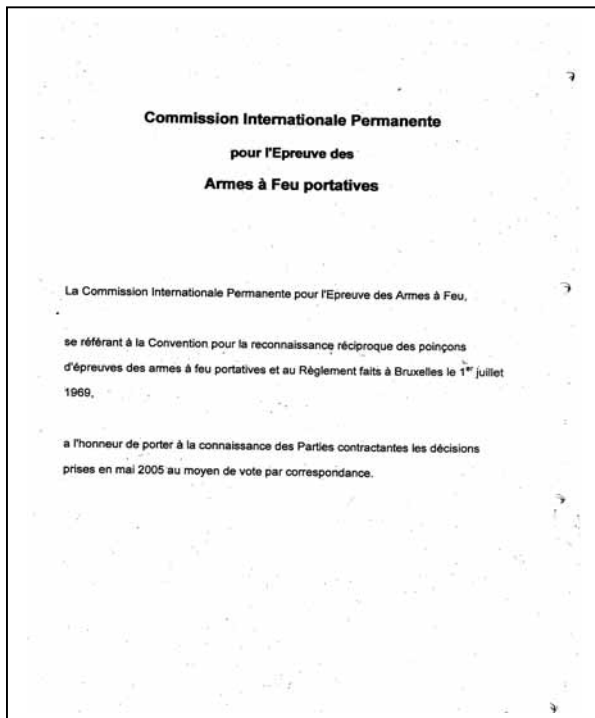
	<i>Date</i>	<i>Treaty Series and Command Nos.</i>
HUMAN RIGHTS (continued)		
Second Optional Protocol to the International Covenant on Civil and Political Rights aiming at the Abolition of the Death Penalty	New York 15 Dec., 1989	039/2000 Cm 4676
Accession-		
Canada	25 Nov., 2005	
Liberia	16 Sep., 2005	
Entry into Force-		
Canada	25 Feb., 2006	
Liberia	16 Dec., 2005	
Optional Protocol to the Convention on the Rights of the Child on the Involvement of Children in Armed Conflict	New York 25 May, 2000	048/2003 Cm 6065
Signature-		
Bhutan	15 Sept., 2005	
Fiji	16 Sept., 2005	
Somalia	16 Sept., 2005	
Vanuatu	15 Sept., 2005	
Ratification-		
Armenia (with <i>declaration</i> *)	30 Sept., 2005	
India (with <i>declaration</i> +) <p style="margin-left: 20px;">"According to Article 47 of the Constitution of the Republic of Armenia "Every citizen shall participate in the defence of the Republic of Armenia in a manner prescribed by law".</p>	30 Nov., 2005	
Togo (with <i>declaration</i> †) <p style="margin-left: 20px;">Participation of the citizens of the Republic of Armenia in the defence of the country is regulated by the laws-of the Republic of Armenia on "Military Duty" (15 September 1998) and on "Performance of Military Service" (3 June 2002).</p> <p style="margin-left: 20px;">According to Article 4, paragraphs 1 and 2, of the law of the Republic of Armenia on "Performance of Military Service", "the military service consists of active and reserve military services; the active military service consists of obligatory and contractual military service. Obligatory military service means the military service of ranks and officers called up to the armed forces or other forces and of cadets of military schools".</p>	28 Nov., 2005	
Entry into Force-		
Armenia	30 Dec., 2005	
India	30 Dec., 2005	
Togo	28 Dec., 2005	
<i>Declaration</i> *		

	<i>Date</i>	<i>Treaty Series and Command Nos.</i>
<p>HUMAN RIGHTS (continued)</p> <p>According to Article 11, paragraph 1, of the law of the Republic of Armenia on "Military Duty", "male conscripts aged between 18 and 27, and reserve officers of the first group assessed as fit for military service in peace time according to their state of health are required for military service".</p> <p>Based on the above-mentioned laws, the citizens of the Republic of Armenia, who have attained the age of 18, are required to serve in the armed forces of the Republic of Armenia; the Republic of Armenia guarantees that those citizens who have not yet attained the age of 18 cannot be called upon for either obligatory or contractual (voluntary) military service."</p> <p><i>Declaration</i>⁺</p> <p>"Pursuant to article 3 (2), of the Optional Protocol to the Convention on the Rights of the Child on the involvement of Children in Arm Conflict, the Government of the Republic of India declare that:</p> <p>i) The minimum age for recruitment of prospective recruits into Armed Forces of India (Army, Air Force and Navy) is 16 ½ years . After enrolment and requisite training period, the attested Armed Forces personnel is sent to the operational area only after he attains 18 years of age;</p> <p>ii) The recruitment into the Arm Forces of India is purely voluntary and conducted through open rally system/open competitive examinations. There is no forced or coerced recruitment into the Arm Forces."</p> <p><i>Declaration</i>[†]</p> <p><i>[Translation: Original: French]</i></p> <p>In accordance with article 3 (2), of the Optional Protocol, the Government of the Republic of Togo:</p> <p>i) Declares that the minimum age at which voluntary recruitment into its national armed forces is permitted is eighteen (18) years;</p> <p>ii) The following is a description of the safeguards that the Government has adopted to ensure that such recruitment is not forced or coerced:</p> <ul style="list-style-type: none"> – Any person under 18 years of age cannot be recruited, neither accepted for recruitment, even voluntarily, nor registered as a member of the Togolese Armed Forces (FAT). – National military service does not exist in Togo. – The recruitment is national, voluntary, conducted in public upon presentation of a birth certificate, a school or training certificate and of diplomas obtained. – All recruits undergo a rigorous medical examination. 		

	<i>Date</i>	<i>Treaty Series and Command Nos.</i>
<p>HUMAN RIGHTS (continued)</p> <p>Note-</p> <p>On 17 November 2005, the Secretary-General of the United Nations, as depositary, received an objection from the government of the <i>Federal Republic of Germany</i>¹, as follows;</p> <p><i>[Translation: Original: German]</i></p> <p>"The Government of the Federal Republic of Germany has carefully examined the reservation made by the Government of the Sultanate of Oman to the Optional Protocol to the Convention on the Rights of the Child on the Involvement of Children in Armed Conflict.</p> <p>The reservation refers to all the provisions of the instrument that do not accord with Islamic law or the legislation in force in the Sultanate of Oman.</p> <p>The Government of the Federal Republic of Germany is of the opinion that the aforesaid restrictions make it unclear to which extent the Sultanate of Oman considers itself bound by the obligations from the Optional Protocol and that this gives rise to serious doubts as to the commitment of the Sultanate of Oman to the object and purpose thereof.</p> <p>The Government of the Federal Republic of Germany therefore objects to the reservation made by the Sultanate of Oman to the Optional Protocol to the Convention on the Rights of the Child on the Involvement of Children in Armed Conflict. This objection shall not preclude the entry into force of the Optional Protocol between the Federal Republic of Germany and the Sultanate of Oman."</p> <p>¹ Refer to depositary notification C.N.1233.2004. TREATIES-26 of 03 December 2004</p> <p>Note-</p> <p>On 05 October 2005, the Secretary-General of the United Nations, as depositary, received an objection from the government of <i>Sweden</i>¹, as follows;</p> <p>"The Government of Sweden has examined the Oman reservation to the Optional Protocol to the Convention on the Rights of the Child on the involvement of children in armed conflict.</p> <p>The Government of Sweden notes that the Optional Protocol is made subject to the reservation formulated by the Government of Oman concerning the Convention of Rights of the Child. The reservation to the Convention contains a general reservation to all the provisions of the Convention that do not accord with Islamic law or the legislation in force in Oman. It also contains a general limitation of the application of the Convention, which stipulates that the provisions of the Convention should be applied within the limits imposed by the material resources available.</p>		

	<i>Date</i>	<i>Treaty Series and Command Nos.</i>
HUMAN RIGHTS (continued)		
<p>The Government of Sweden is of the view that the reservations which do not clearly specify the extent of Oman's derogation from the provisions in question raises serious doubts as to the commitment of Oman to the object and purpose of the Optional Protocol. The Government of Sweden wishes to recall that, according to customary international law as codified in the Vienna Convention on the Law of Treaties, a reservation that is incompatible with the object and purpose of a treaty shall not be permitted.</p> <p>It is in the common interest of States that treaties to which they have chosen to become parties are respected as to their object and purpose, by all parties, and that States are prepared to undertake any legislative changes necessary to comply with their obligations under the treaties.</p> <p>The Government of Sweden therefore objects to the aforesaid reservation made by the Government of Oman to the Optional Protocol to the Convention of the Rights of the Child in Armed Conflicts and considers the reservation null and void. This objection shall not preclude the entry into force of the Optional Protocol between Oman and Sweden. The Optional Protocol enters into force in its entirety between Oman and Sweden, without Oman benefiting from its reservation."</p> <p>¹ Refer to depositary notification C.N.1233.2004. Treaties- 23 of 03 December 2004</p>		
INTELLECTUAL PROPERTY		
International Convention for the Protection of Performers, Producers of Phonograms and Broadcasting Organisations	Rome 26 Oct., 1961	038/1964 Cmnd 2425
Accession-		
Bahrain	18 Oct., 2005	
Liberia	16 Sep., 2005	
Entry into Force-		
Bahrain	18 Jan., 2006	
Liberia	16 Dec., 2005	
Convention establishing the World Intellectual Property Organization	Stockholm 14 July, 1967 -13 Jan., 1968	052/1970 Cmnd 4408
Accession-		
Afghanistan	13 Sep., 2005	
Entry into Force-		
Afghanistan	13 Dec., 2005	

	<i>Date</i>	<i>Treaty Series and Command Nos.</i>
<p>INTELLECTUAL PROPERTY(continued)</p> <p>Convention for the Reciprocal Recognition of Proof Marks of Small-Arms [with Regulations of the Permanent International Commission (CIP) and Annexes I and II]</p> <p>Note- In a communication dated 24 May 2005, the Belgium government , as depositary, issued the following;</p>	<p>Brussels 01 July, 1969</p>	<p>084/1980 Cmnd 8063</p>



Date

Treaty Series
and
Command Nos.

INTELLECTUAL PROPERTY(continued)

XXVIII-2 Conduite des épreuves individuelles – Cartouches billes d'acier.

Décision prise en application du paragraphe 1 de l'article 5 du Règlement.

Modification à apporter à la décision XXVI-8.

Remplacer le paragraphe 3. par le suivant:

« 3. Epreuve des armes destinées au tir de cartouches chargées de billes d'acier. On tire 3 cartouches d'épreuve par canon chargées à l'aide de billes d'acier de diamètre 4,6 mm pour les cartouches calibre 12 ou bien de diamètre 3,8 mm pour les cartouches calibre 20 et d'une dureté comprise entre 80 et 110 HV1.

Chaque cartouche d'épreuve doit développer simultanément:

- cartouches calibre 12/70:
une pression maximale moyenne d'au moins 137 Mpa (1370 bar) au 1er manomètre;
une pression maximale moyenne d'au moins 50 Mpa (500 bar) au 2e manomètre;
une quantité de mouvement Mo ≥ 15 Ns;
- cartouches calibre 12/73 et plus longue:
une pression maximale moyenne d'au moins 137 Mpa (1370 bar) au 1er manomètre;
une pression maximale moyenne d'au moins 50 Mpa (500 bar) au 2e manomètre;
une quantité de mouvement Mo ≥ 17,5 Ns;
- Cartouches calibre 20/70 :
une pression maximale moyenne d'au moins 137 Mpa (1370 bar) au 1er manomètre;
une pression maximale moyenne d'au moins 50 Mpa (500 bar) au 2e manomètre;
une quantité de mouvement Mo ≥ 12,5 Ns.
- Cartouches calibre 20/76 :
une pression maximale moyenne d'au moins 137 Mpa (1370 bar) au 1er manomètre;
une pression maximale moyenne d'au moins 50 Mpa (500 bar) au 2e manomètre;
une quantité de mouvement Mo ≥ 14 Ns. »

XXVIII-3 à 22 Liste des tableaux TDCC, nouveaux calibres

Décisions prises en application du paragraphe 1 de l'article 5 du Règlement.

Tableaux I	Calibre 7 mm Rem. SA Ultra Mag. Calibre 223 Win. Super Short Mag. Calibre 243 Win. Super Short Mag. Calibre 300 Rem. SA Ultra Mag. Calibre 45 Blaser Calibre 510 DTC	XXVIII-3 XXVIII-4 XXVIII-5 XXVIII-6 XXVIII-7 XXVIII-8
Tableaux II	Calibre 56/50 Spencer Calibre 45-90 WM	XXVIII-9 XXVIII-10
Tableaux IV	Calibre 4,6 x 30 Calibre 7 Penna Calibre 10 x 22 T Calibre 45 GAP Calibre 475 LINEBAUGH Calibre 480 RUGER Calibre 500 S&W Mag.	XXVIII-11 XXVIII-12 XXVIII-13 XXVIII-14 XXVIII-15 XXVIII-16 XXVIII-17
Tableaux V	Calibre 17 Mach 2 Calibre 17 HMR	XXVIII-18 XXVIII-19
Tableaux VI	Calibre 8/47,5 mm C.F. Calibre 14 mm Piexon	XXVIII-20 XXVIII-21
Tableaux VII	Calibre 9 C.F. Mori	XXVIII-22

XXVIII-23 à 33 Liste des tableaux TDCC, calibres révisés

Décisions prises en application du paragraphe 1 de l'article 5 du Règlement.

Tableaux I	Calibre 7mm Win. Short Mag. Calibre 9 x 57 Calibre 270 Win. Short Mag. Calibre 300 Rem. Ultra Mag. Calibre 338 Rem. Ultra Mag. Calibre 375 Rem. Ultra Mag.	XXVIII-23 XXVIII-24 XXVIII-25 XXVIII-26 XXVIII-27 XXVIII-28
Tableaux II	Calibre 240 Fl. N.E.	XXVIII-29
Tableaux III	Calibre 416 Rem. Mag. Calibre 416 Weath. Mag.	XXVIII-30 XXVIII-31
Tableaux IV	Calibre 38 S&W et Colt N.P.	XXVIII-32
Tableaux VI	Calibre 8,8 x 10 S.A.P.L.	XXVIII-33

C.I.P. 7 mm Rem. SA Ultra Mag.

Pays d'origine: US

CARTOUCHE MAXI		CHAMBRE MINI	
Longueurs			
L1 ¹⁾	= 39.07 -0.20	L1	= 38.95
L2 ¹⁾	= 43.79 -0.20	L2	= 43.65
L3 ¹⁾	= 51.69	L3 ¹⁾	= 51.94
L4	=		
L5	=		
L6	= 71.76		
Culot			
R	= 1.27	R	=
R1	= 13.56	R1	= 14.05
R3	=	R2	=
E	= 3.75	R3	=
E1	= 12.07	F	=
e min	= 0.94		
α	= 32°		
f	= 0.41		
β	= 35°		
Chambre à poudre			
P1	= 14.00	E	= 3.75
P2 ¹⁾	= 13.56 -0.20	P1 ¹⁾	= 14.01
Cône de raccordement			
α	= 60°	α ¹⁾	= 60°
S ¹⁾	= 50.83	S ¹⁾	= 50.74
r1 min	=	r1 max	=
r2	= 3.18	r2	= 3.18
Collet			
H1 ¹⁾	= 8.13	H1 ¹⁾	= 8.18
H2 ¹⁾	= 8.13	H2 ¹⁾	= 8.15
Projectile			
G1 ¹⁾	= 7.23	G1 ¹⁾	= 7.23
G2	= 7.04	G2	= 8.19
F	=	α1 ¹⁾	= 90°
L3+G ¹⁾	= 59.88	h	= 0.46
Pressions (Energies)			
Pmax	= 4400 bar	w	= 2.75
PK	= 5000 bar	1 ¹⁾	= 1°
PE	= 5500 bar		
M	= 25.00		
EE	= 4500 Joule		
Méthode transducteur			
		Canon	
		F ¹⁾	= 7.04
		Z ¹⁾	= 7.21
Autres indications			
Fe	= 0.10	Rayures	
delta L	=	D	= 2.79
		N	= 6
		u	= 254.00
		Q	= 40.39 mm ³

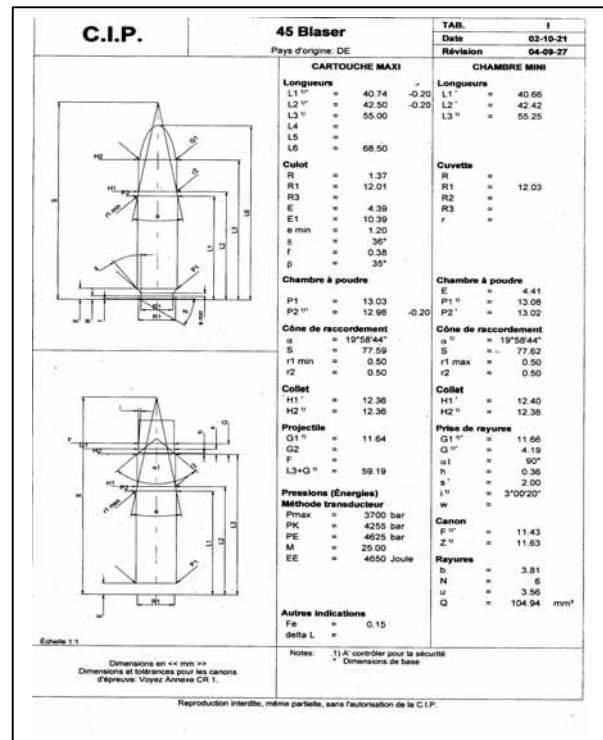
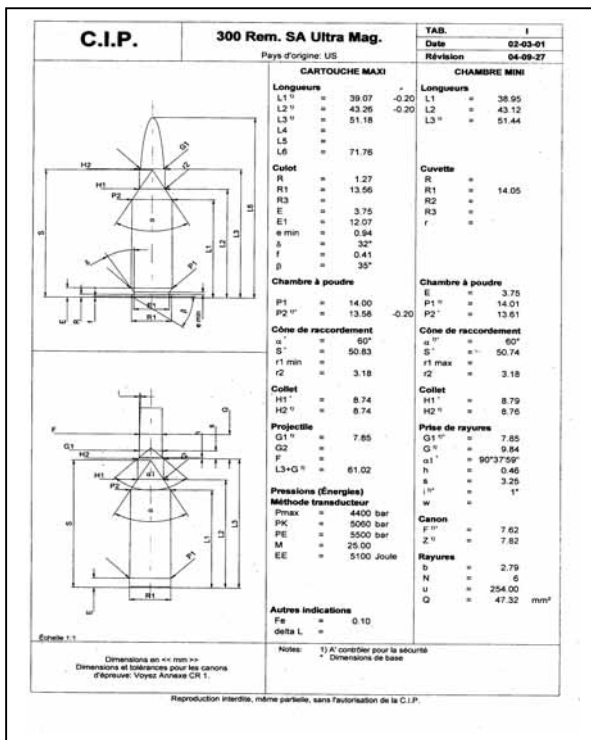
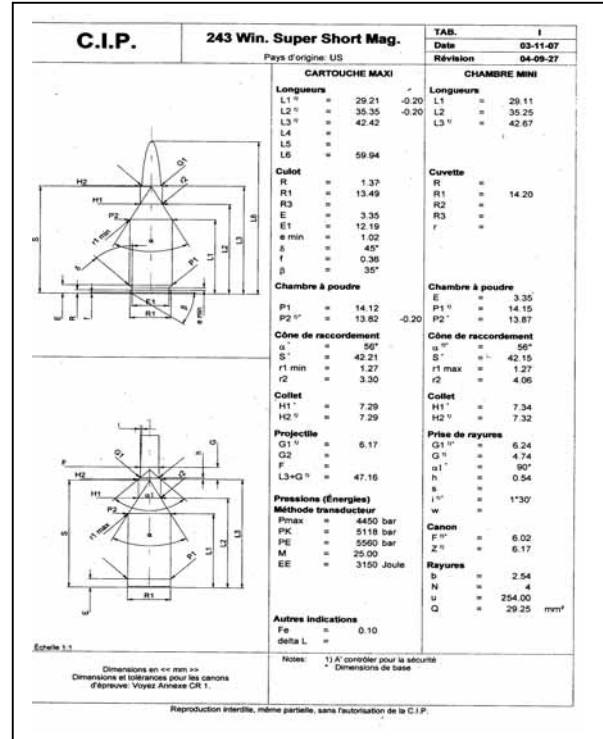
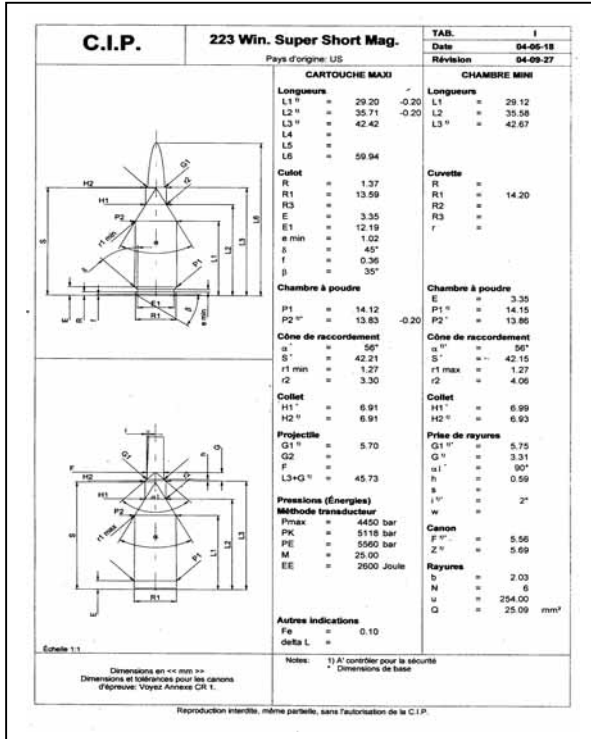
Notes: 1) A contrôler pour la sécurité Dimensions de base

Reproduction interdite, même partielle, sans l'autorisation de la C.I.P.

Date

Treaty Series
and
Command Nos.

INTELLECTUAL PROPERTY(continued)



Date

Treaty Series and Command Nos.

INTELLECTUAL PROPERTY(continued)

C.I.P. **510 DTC** **TAB. I**

Pays d'origine: GB **Date** 04-05-18 **Révision** 04-09-27

CARTOUCHE MAXI		CHAMBRE MINI	
Longueurs			
L1 ¹⁾	= 72.04	L1 ¹⁾	= 72.21
L2 ¹⁾	= 79.48	L2 ¹⁾	= 79.73
L3 ¹⁾	= 96.14	L3 ¹⁾	= 95.52
L4	=		
L5	=		
L6	= 137.47		
Culot			
R	= 2.26	R	= 2.26
R1	= 20.42	R1	= 20.62
R3	=	R2	=
E	= 6.20	R3	=
E1	= 17.27	r	=
e min	= 1.80		
δ	= 36°		
f	= 0.94		
β	= 45°		
Chambre à poudre			
P1	= 20.38	E	= 7.62
P2 ¹⁾	= 19.28	P1 ¹⁾	= 20.37
		P2 ¹⁾	= 19.31
Cône de raccordement			
α	= 37°33'42"	α ¹⁾	= 36°38'24"
S	= 100.39	S	= 101.37
r1 min	= 3.18	r1 max	= 3.18
r2	= 5.08	r2	= 6.35
Collet			
H1 ¹⁾	= 14.22	H1 ¹⁾	= 14.33
H2 ¹⁾	= 14.22	H2 ¹⁾	= 14.28
Prise de rayures			
G1 ¹⁾	= 12.98	G1 ¹⁾	= 12.99
G2	=	G2 ¹⁾	= 12.29
F	=	α1	= 29°57'59"
L3+G ¹⁾	= 108.53	h	= 2.41
		s	= 5.72
		i ¹⁾	= 1°25'01"
		w	=
Pressions (Energies)			
Méthode transducteur			
Pmax	= 3650 bar	Canon	=
PK	= 4140 bar	F ¹⁾	= 12.66
PE	= 4500 bar	Z ¹⁾	= 12.93
M	= 25.00		
EE	= 14870 Joule		
Rayures			
b	= 3.43		
N	= 6		
u	= 508.00		
Q	= 129.63 mm ²		
Autres indications			
Fe	= 0.15		
delta L	=		

Notes: 1) A) Contrôler pour la sécurité Dimensions de base

Reproduction interdite, même partielle, sans l'autorisation de la C.I.P.

C.I.P. **56/50 Spencer** **TAB. II**

Pays d'origine: US **Date** 04-05-18 **Révision** 04-09-27

CARTOUCHE MAXI		CHAMBRE MINI	
Longueurs			
L1	= 28.04	L1	=
L2	= 29.44	L2	= 29.55
L3	= 29.44	L3	=
L4	=		
L5	=		
L6	= 38.56		
Culot			
R	= 1.55	R	= 1.55
R1	= 16.13	R1	= 16.20
R3	=	R2	=
E	=	R3	=
E1	=	r	=
e min	=		
δ	=		
f	=		
β	=		
Chambre à poudre			
P1	= 14.30	E	=
P2 ¹⁾	= 13.75	P1 ¹⁾	= 14.32
		P2 ¹⁾	=
Cône de raccordement			
α	= 10°10'59"	α ¹⁾	= 10.32
S	= 105.50	S	=
r1 min	= 0.50	r1 max	=
r2	=	r2	=
Collet			
H1 ¹⁾	= 13.50	H1	=
H2 ¹⁾	= 13.50	H2 ¹⁾	= 13.77
Projectile			
G1 ¹⁾	= 13.00	G1 ¹⁾	= 13.03
G2	=	G2 ¹⁾	= 10.32
F	=	α1 ¹⁾	= 30°01'04"
L1+G ¹⁾	= 39.76	h	= 1.38
		s	= 9.70
		i ¹⁾	= 15°
		w	=
Pressions (Energies)			
Méthode transducteur			
Pmax	= 2050 bar	Canon	=
PK	= 2350 bar	F ¹⁾	= 12.70
PE	= 2500 bar	Z ¹⁾	= 12.95
M	= 17.50		
EE	= 1950 Joule		
Rayures			
b	= 3.50		
N	= 6		
u	= 508.00		
Q	= 129.34 mm ²		
Autres indications			
Fe	= 0.15		
delta L	=		

Notes: 1) A) Contrôler pour la sécurité Dimensions de base

Reproduction interdite, même partielle, sans l'autorisation de la C.I.P.

C.I.P. **45-90 WM** **TAB. III**

Pays d'origine: DE **Date** 03-04-08 **Révision** 04-09-27

CARTOUCHE MAXI		CHAMBRE MINI	
Longueurs			
L1	=	L1	=
L2	=	L2	= 61.60
L3 ¹⁾	= 60.96	L3 ¹⁾	=
L4	=		
L5	=		
L6	= 82.00		
Culot			
R ¹⁾	= 1.73	R ¹⁾	= 1.73
R1	= 15.44	R1	= 15.50
R3	=	R2	=
E	=	R3	=
E1	=	r	=
e min	=		
δ	=		
f	=		
β	=		
Chambre à poudre			
P1	= 12.82	E	=
P2 ¹⁾	=	P1 ¹⁾	= 12.85
		P2 ¹⁾	= 7.75
Cône de raccordement			
α	=	α ¹⁾	= 44°07'33"
S	=	S	= 32.85
r1 min	=	r1 max	= 1.70
r2	=	r2	= 2.30
Collet			
H1	=	H1	= 12.25
H2 ¹⁾	= 12.22	H2 ¹⁾	=
Projectile			
G1 ¹⁾	= 11.63	G1 ¹⁾	= 11.91
G2	=	G2 ¹⁾	= 9.34
F	=	α1	= 90°
L3+G ¹⁾	= 70.30	h ¹⁾	= 0.17
		s	=
		i ¹⁾	= 1°29'57"
		w	=
Pressions (Energies)			
Méthode transducteur			
Pmax	= 2200 bar	Canon	=
PK	= 2330 bar	F ¹⁾	= 11.43
PE	= 2750 bar	Z ¹⁾	= 11.58
M	= 25.00		
EE	= 3650 Joule		
Rayures			
b	= 3.58		
N	= 6		
u	= 508.00		
Q	= 104.25 mm ²		
Autres indications			
Fe	= 0.15		
delta L	=		

Notes: 1) A) Contrôler pour la sécurité Dimensions de base

Reproduction interdite, même partielle, sans l'autorisation de la C.I.P.

C.I.P. **4,6 x 30** **TAB. IV**

Pays d'origine: DE **Date** 04-05-18 **Révision** 04-09-27

CARTOUCHE MAXI		CHAMBRE MINI	
Longueurs			
L1 ¹⁾	= 23.02	L1 ¹⁾	= 22.98
L2 ¹⁾	= 26.03	L2 ¹⁾	= 25.89
L3 ¹⁾	= 30.60	L3 ¹⁾	= 30.68
L4	=		
L5	=		
L6	= 38.50		
Culot			
R	= 1.10	R	= 3.20
R1	= 8.00	R1	= 5.07
R3	=	R2	= 3.90
E	= 2.87	R3	=
E1	= 6.80	r	= 0.40
e min	= 0.90		
δ	= 35°		
f	= 0.25		
β	= 45°		
Chambre à poudre			
P1	= 8.02	E	= 3.60
P2 ¹⁾	= 7.75	P1 ¹⁾	= 8.03
		P2 ¹⁾	= 7.76
Cône de raccordement			
α	= 44°07'33"	α ¹⁾	= 44°56'01"
S	= 32.85	S	= 32.37
r1 min	= 1.70	r1 max	= 1.60
r2	= 2.00	r2	= 2.30
Collet			
H1 ¹⁾	= 5.31	H1	= 5.38
H2 ¹⁾	= 5.31	H2 ¹⁾	= 5.36
Projectile			
G1 ¹⁾	= 4.65	G1 ¹⁾	= 4.65
G2	=	G2 ¹⁾	= 7.05
F	=	α1	= 44°51'39"
L3+G ¹⁾	= 37.55	h	= 0.85
		s	= 4.74
		i ¹⁾	= 1°36'42"
		w	=
Pressions (Energies)			
Méthode transducteur			
Pmax	= 4000 bar	Canon	=
PK	= 4600 bar	F ¹⁾	= 4.52
PE	= 5200 bar	Z ¹⁾	= 4.65
M	= 17.50		
Rayures			
b	= 1.21		
N	= 6		
u	= 160.00		
Q	= 16.52 mm ²		
Autres indications			
Fe	= 0.20		
delta L	=		

Notes: 1) A) Contrôler pour la sécurité Dimensions de base

Reproduction interdite, même partielle, sans l'autorisation de la C.I.P.

Date

Treaty Series
and
Command Nos.

INTELLECTUAL PROPERTY(continued)

C.I.P.	7 Penna Pays d'origine: IT	TAB.	IV
		Date	04-06-18
		Révision	04-09-27
	CARTOUCHE MAXI	CHAMBRE MINI	
	Longueurs L1 = L2 = 23.00 L3 = 25.00 L4 = L5 = 34.50 L6 = Culot R = 1.20 R1 = 7.95 R2 = E = 2.92 E1 = 6.80 e min = 1.15 s = 45° f = 0.10 beta = 45° Chambre à poudre P1 = 7.95 P2 = Cône de raccordement a = S = r1 min = r2 = Collet H1 = H2 = 7.90 Projectile G1 = 7.04 G2 = 7.04 F = L3+G = 27.25 Pressions (Énergies) Méthode transducteur Pmax = 2500 bar PK = 2875 bar PE = 3250 bar M = 12.50 Autres indications Fe = 0.30 delta L =	Longueurs L1 = L2 = 23.00 L3 = 23.00 Cuvette R = R1 = 8.00 R2 = E = E1 = e min = s = f = beta = Chambre à poudre E = 2.92 P1 = 8.00 P2 = Cône de raccordement a = S = r1 max = r2 = Collet H1 = H2 = 7.98 Prise de rayures G1 = 7.15 G2 = 4.25 a1 = 180° h = s = i = 1°57'16" w = Canon F = 6.86 Z = 7.03 Rayures b = 0.85 N = 6 U = 254.00 Q = 37.40 mm ²	
Notes: 1) A' contrôler pour la sécurité * Dimensions de base			

C.I.P.	10 x 22 T Pays d'origine: IT	TAB.	IV
		Date	00-12-11
		Révision	04-09-27
	CARTOUCHE MAXI	CHAMBRE MINI	
	Longueurs L1 = L2 = 22.00 L3 = 22.50 L4 = L5 = L6 = 22.70 Culot R = 1.25 R1 = 9.50 R2 = R3 = E = 2.97 E1 = 6.30 e min = 1.00 s = 40° f = 0.40 beta = 45° Chambre à poudre P1 = 9.75 P2 = Cône de raccordement a = S = r1 min = r2 = Collet H1 = H2 = 9.75 Projectile G1 = 10.00 G2 = F = L3+G = 42.50 Pressions (Énergies) Méthode transducteur Pmax = 450 bar PK = 518 bar PE = 585 bar M = 12.50 Autres indications Fe = 0.30 delta L =	Longueurs L1 = L2 = L3 = 20.70 Cuvette R = R1 = R2 = R3 = E = E1 = e min = s = f = beta = Chambre à poudre E = P1 = 9.80 P2 = Cône de raccordement a = S = r1 max = r2 = Collet H1 = H2 = 9.80 Prise de rayures G1 = 7.00 G2 = 20.00 a1 = 90° h = 1.40 s = 19.05 i = 45° w = Canon F = 6.30 Z = Rayures b = N = U = Q = 31.17 mm ²	
Notes: 1) A' contrôler pour la sécurité * Dimensions de base			

C.I.P.	45 GAP Pays d'origine: AT	TAB.	IV
		Date	03-06-96
		Révision	04-09-27
	CARTOUCHE MAXI	CHAMBRE MINI	
	Longueurs L1 = L2 = L3 = 19.30 L4 = L5 = L6 = 28.89 Culot R = 1.24 R1 = 11.84 R2 = R3 = E = 4.11 E1 = 10.16 e min = 0.89 s = 35° f = 0.38 beta = 35° Chambre à poudre P1 = 12.09 P2 = Cône de raccordement a = S = r1 min = r2 = Collet H1 = H2 = 12.01 Projectile G1 = 11.48 G2 = F = L3+G = 25.53 Pressions (Énergies) Méthode transducteur Pmax = 1300 bar PK = 1485 bar PE = 1650 bar M = 12.50 Autres indications Fe = 0.30 delta L =	Longueurs L1 = L2 = L3 = 19.30 Cuvette R = R1 = 11.97 R2 = R3 = E = E1 = e min = s = f = beta = Chambre à poudre E = 5.08 P1 = 12.18 P2 = Cône de raccordement a = S = r1 max = r2 = Collet H1 = H2 = 12.04 Prise de rayures G1 = 11.48 G2 = 6.23 a1 = 180° h = s = i = 1°9' w = Canon F = 11.23 Z = 11.43 Rayures b = 3.73 N = 6 U = 406.00 Q = 101.33 mm ²	
Notes: 1) A' contrôler pour la sécurité * Dimensions de base			

C.I.P.	475 LINEBAUGH Pays d'origine: US	TAB.	IV
		Date	03-02-17
		Révision	04-09-27
	CARTOUCHE MAXI	CHAMBRE MINI	
	Longueurs L1 = L2 = L3 = 35.16 L4 = L5 = L6 = 44.43 Culot R = 1.78 R1 = 13.77 R2 = R3 = E = E1 = 11.65 e min = s = f = 0.38 beta = 45° Chambre à poudre P1 = 12.80 P2 = Cône de raccordement a = S = r1 min = r2 = Collet H1 = H2 = 12.80 Projectile G1 = 12.08 G2 = F = L3+G = 46.58 Pressions (Énergies) Méthode transducteur Pmax = 3450 bar PK = 3960 bar PE = 4485 bar M = 17.50 Autres indications Fe = 0.25 delta L =	Longueurs L1 = L2 = L3 = 35.74 Cuvette R = 1.80 R1 = 13.87 R2 = R3 = E = E1 = e min = s = f = beta = Chambre à poudre E = P1 = 12.85 P2 = Cône de raccordement a = S = r1 max = r2 = Collet H1 = H2 = 12.81 Prise de rayures G1 = 12.08 G2 = 11.42 a1 = 10° h = 4.17 s = 9.89 i = 5° w = Canon F = 11.81 Z = 12.07 Rayures b = 4.06 N = 6 U = 457.00 Q = 112.76 mm ²	
Notes: 1) A' contrôler pour la sécurité * Dimensions de base			

Date

Treaty Series and Command Nos.

INTELLECTUAL PROPERTY(continued)

C.I.P. **480 RUGER** **TAB. IV**
 Date: 03-02-17
 Révision: 04-09-27
 Pays d'origine: US

CARTOUCHE MAXI	CHAMBRE MINI
Longueurs	Longueurs
L1 =	L1 =
L2 = 32.64	L2 = 33.22
L3 =	L3 =
L4 = 41.91	L4 =
L5 =	L5 =
L6 =	L6 =
Collet	Cuvette
R = 1.78 -0.25	R = 1.80
R1 = 13.77	R1 = 13.67
R3 =	R2 =
E =	R3 =
E1 =	r =
e min =	
δ =	
f = 0.38	
β = 45°	
Chambre à poudre	Chambre à poudre
P1 = 12.80	E =
P2 =	P1 = 12.86
	P2 =
Cône de raccordement	Cône de raccordement
α =	α =
S =	S =
r1 min =	r1 max =
r2 =	r2 =
Collet	Collet
H1 =	H1 =
H2 = 12.80	H2 = 12.81
Projectile	Prise de rayures
G1 = 12.08	G1 = 12.08
G2 =	G2 = 11.42
F =	α1 = 10°
L3+G = 44.06	h = 4.17
	s = 9.88
Pressions (Energies)	Méthode transducteur
Pmax = 3300 bar	Canon =
PK = 3790 bar	F = 11.81
PE = 4290 bar	Z = 12.07
M = 17.50	Rayures
	b = 4.06
Autres indications	N = 6
Fe = 0.25	u = 457.00
delta L =	Q = 112.78 mm ²

Notes: 1) A* contrôler pour la sécurité
 * Dimensions de base

Reproduction interdite, même partielle, sans l'autorisation de la C.I.P.

C.I.P. **500 S&W Mag.** **TAB. IV**
 Date: 04-06-18
 Révision: 04-09-27
 Pays d'origine: US

CARTOUCHE MAXI	CHAMBRE MINI
Longueurs	Longueurs
L1 =	L1 =
L2 =	L2 = 41.79
L3 = 41.28	L3 =
L4 =	L4 =
L5 = 58.42	L5 =
L6 =	L6 =
Collet	Cuvette
R = 1.50 -0.25	R = 1.50
R1 = 14.22	R1 = 14.35
R3 =	R2 =
E = 3.28	R3 =
E1 = 12.19	r =
e min = 1.14	
δ = 45°	
f = 0.26	
β = 35°	
Chambre à poudre	Chambre à poudre
P1 = 13.46	E =
P2 =	P1 = 13.54
	P2 =
Cône de raccordement	Cône de raccordement
α =	α =
S =	S =
r1 min =	r1 max =
r2 =	r2 =
Collet	Collet
H1 =	H1 =
H2 = 13.46	H2 = 13.49
Projectile	Prise de rayures
G1 = 12.70	G1 = 12.70
G2 =	G2 = 18.70
F =	α1 = 10°
L3+G = 59.98	h = 4.51
	s = 16.83
Pressions (Energies)	Méthode transducteur
Pmax = 4270 bar	Canon =
PK = 4911 bar	F = 12.40
PE = 5551 bar	Z = 12.66
M = 23.00	Rayures
	b = 3.30
Autres indications	N = 6
Fe = 0.30	u = 478.30
delta L =	Q = 123.37 mm ²

Notes: 1) A* contrôler pour la sécurité
 * Dimensions de base

Reproduction interdite, même partielle, sans l'autorisation de la C.I.P.

C.I.P. **17 Mach 2** **TAB. V**
 Date: 04-06-18
 Révision: 04-09-27
 Ursprungsland: US

PATRONE MAXI	PATRONELAGER MINI
Längen	Längen
L1 = 14.23	L1 = 14.31
L2 = 15.48	L2 = 15.56
L3 = 18.14	L3 = 18.29
L4 =	L4 =
L5 = 25.40	L5 =
L6 =	L6 =
Hölsenboden	Stoßboden
R = 1.09 -0.18	R = 1.09
R1 = 7.06	R1 = 7.32
R3 =	R2 =
E =	R3 =
E1 =	r = 0.25
e min =	
δ =	
f =	
β =	
Pulverkammer	Pulverkammer
P1 = 5.74	E =
P2 = 5.74	P1 = 5.79
	P2 = 5.79
Schulterkonus	Schulterkonus
α = 40°	α = 40°
S = 22.12	S = 22.26
r1 min = 0.25	r1 max = 0.64
r2 = 1.27	r2 = 1.90
Hölsenhals	Hölsenhals
H1 = 4.83	H1 = 4.88
H2 = 4.83	H2 = 4.86
Geschöß	Geschößübergang
G1 = 4.38	G1 = 4.37
G2 =	G2 = 3.69
F =	α1 = 90°
L3+G = 21.83	h = 0.25
	s = 1.78
Drücke (Energies)	Méthode transducteur
Pmax = 1800 bar	Canon =
PK = 2070 bar	F = 4.27
PE = 2340 bar	Z = 4.37
M = 6.35	ZDge
Verschiedene Daten	b = 1.57
Fe = 0.20	N = 6
delta L =	u = 228.60
	Q = 14.80 mm ²

Notes: 1) Kontrolle aus Sicherheitsgründen
 * Grundmaße

Vervielfältigung, auch auszugsweise, ohne Zustimmung der C.I.P., verboten.

C.I.P. **17 HMR** **TAB. V**
 Date: 02-02-02
 Révision: 04-09-27
 Pays d'origine: US

CARTOUCHE MAXI	CHAMBRE MINI
Longueurs	Longueurs
L1 = 22.20	L1 = 22.40
L2 = 23.62	L2 = 23.74
L3 = 27.03	L3 = 27.32
L4 =	L4 =
L5 =	L5 =
L6 = 34.67	L6 =
Collet	Cuvette
R = 1.27 -0.18	R = 1.27
R1 = 7.47	R1 = 7.67
R3 =	R2 =
E =	R3 =
E1 =	r =
e min =	
δ =	
f =	
β =	
Chambre à poudre	Chambre à poudre
P1 = 6.15	E =
P2 = 6.15	P1 = 6.22
	P2 = 6.17
Cône de raccordement	Cône de raccordement
α = 50°	α = 49°48'
S = 28.62	S = 29.07
r1 min =	r1 max = 0.64
r2 =	r2 = 1.91
Collet	Collet
H1 = 4.83	H1 = 4.93
H2 = 4.83	H2 = 4.93
Projectile	Prise de rayures
G1 = 4.38	G1 = 4.37
G2 =	G2 = 3.50
F =	α1 = 30°
L3+G = 30.53	h = 0.28
	s = 1.59
Pressions (Energies)	Méthode transducteur
Pmax = 1850 bar	Canon =
PK = 2126 bar	F = 4.27
PE = 2405 bar	Z = 4.37
M = 17.50	Rayures
	b = 1.57
Autres indications	N = 6
Fe = 0.20	u = 229.00
delta L =	Q = 14.80 mm ²

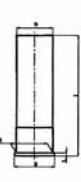

Notes: 1) A* contrôler pour la sécurité
 * Dimensions de base

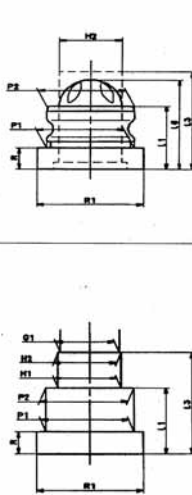
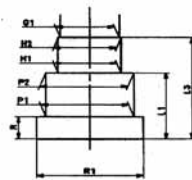
Reproduction interdite, même partielle, sans l'autorisation de la C.I.P.



Date

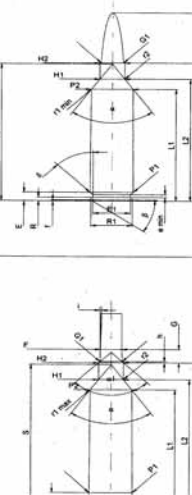
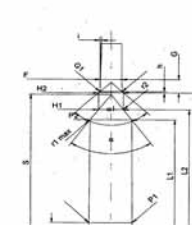
Treaty Series
and
Command Nos.

INTELLECTUAL PROPERTY(continued)

C.I.P.	Cal. 8/47.5 mm C.F. Pays d'origine: IT	TAB. VII
		Date 02-05-14 Révision 04-09-27
<p>CARTOUCHE MAXIMALE</p> <p>Dimens. Valeur Tolér.</p> <p>d^{11} = 9.80 - 0.10 d_1^{11} = 12.20 - 0.30 T^{11} = 1.45 - 0.20 h = 9.00 - 0.20 l = 47.50 - 0.70</p> 		
<p>CHAMBRE MINIMALE</p> <p>Dimens. Valeur Tolér.</p> <p>D^{11} = 9.85 + 0.10 G = 12.30 + 0.20 T^{11} = 1.45 - 0.10 H^{11} = 9.05 + 0.10 B^{11} = 7.90 + 0.50 α^{11} = 10°30' max L^{11} = 47.50 + 2.00</p> <p>Pression transducteur Pmax PK PE M 830 950 1080 10.5</p> <p>Feuilleure de l'arme Fe = 0.10 manomètre Feⁿ = 0.20 à bascule Feⁿ = 0.35 automatique</p> 		
<p>Echelle 1:1</p> <p>Dimensions en « mm » Dimensions et tolérances pour les canons d'épreuve: Voyez Annexe CR 4.</p> <p>Notes: 1) A contrôler pour la sécurité.</p> <p>Reproduction interdite, même partielle, sans l'autorisation de la C.I.P.</p>		

C.I.P.	14 mm Piexon Pays d'origine: DE	TAB. X
		Date 02-05-02 Révision
<p>CARTOUCHE MAXI</p> <p>Longueurs L1¹¹ = 11.70 L2¹¹ = 18.30 L3¹¹ = 18.30 L4 = 16.50 L5 = 16.50 L6 = 16.50</p> <p>Culot R = 4.05 R1 = 16.25 R3 = 16.25 E = 16.25 E1 = 16.25 e min = 1.02 delta = 45° f = 0.36 B = 35°</p> <p>Chambre à poudre P1 = 13.41 P2 = 13.41</p> <p>Cône de raccordement S = 70° r1 min = 1.27 r2 = 2.54</p> <p>Collet H1¹¹ = 8.15 H2¹¹ = 8.15</p> <p>Projectile G1¹¹ = 7.23 G2 = 7.23 F = 7.23 L3+G¹¹ = 58.56</p> <p>Energie E_{max} = 190 Joule EK = 203 Joule EE = 209 Joule</p> 		
<p>CHAMBRE MINI</p> <p>Longueurs L1 = 11.80 L2 = 18.50 L3¹¹ = 18.50</p> <p>Cuvette R = 4.05 R1 = 16.35 R2 = 16.35 R3 = 16.35 f = 0.36</p> <p>Chambre à poudre P1¹¹ = 13.43 P2¹¹ = 13.43</p> <p>Cône de raccordement S = 70° r1 max = 1.27 r2 = 2.54</p> <p>Collet H1¹¹ = 9.60 H2¹¹ = 9.60</p> <p>Prise de rayures G1¹¹ = 9.00 G = 9.00 alpha1 = 90° h = 0.44 s = 1°30' w = 0.10</p> <p>Canon F¹¹ = 7.04 Z = 7.21 b = 2.79 N = 6 u = 241.00 Q = 40.39 mm³</p> 		
<p>Echelle 2:1</p> <p>Dimensions en « mm » Dimensions et tolérances pour les canons d'épreuve: Voyez Annexe CR 1.</p> <p>Note: 1) A contrôler pour la sécurité. * Dimensions de base</p> <p>Reproduction interdite, même partielle, sans l'autorisation de la C.I.P.</p>		

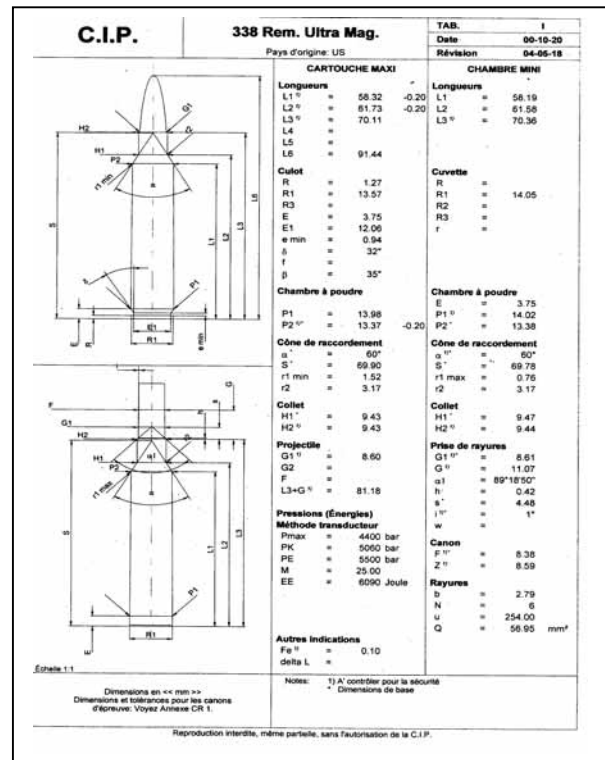
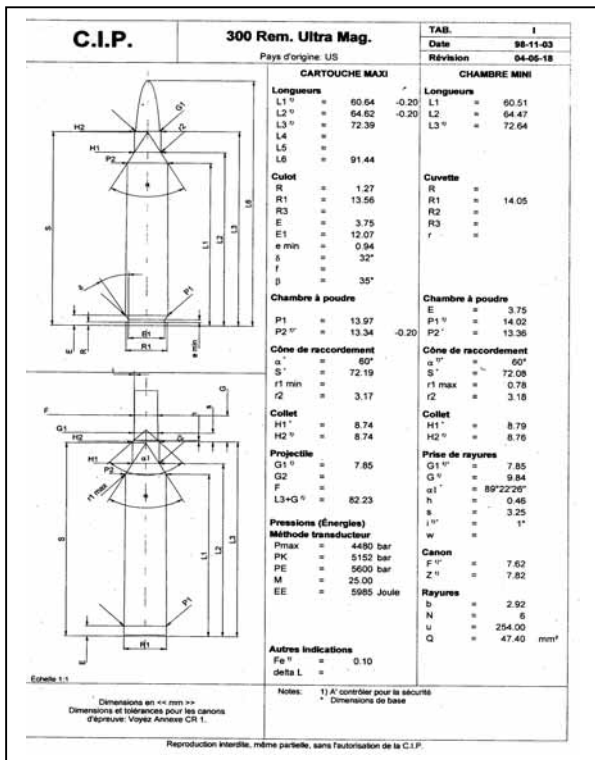
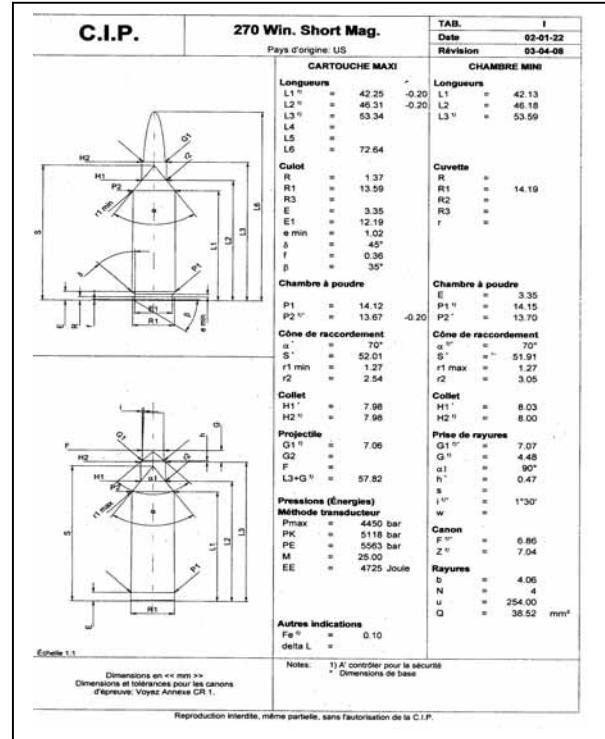
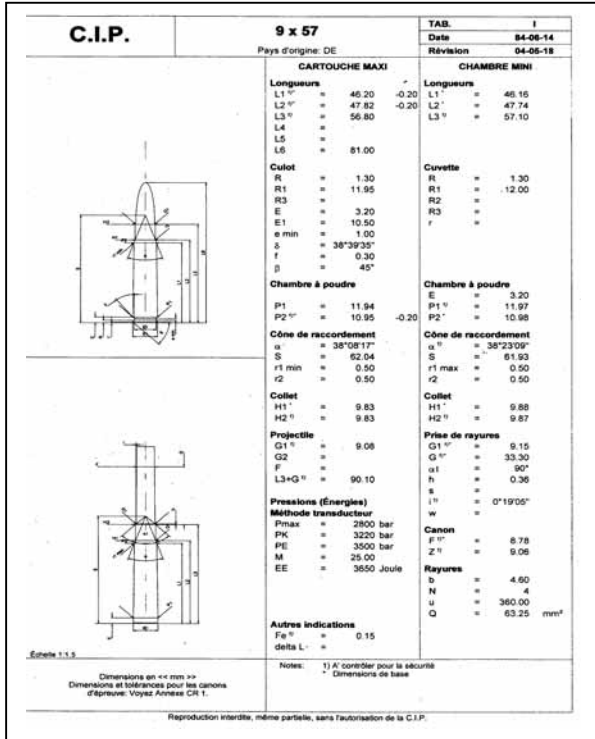
C.I.P.	Kal. 9 C.F. Mori Pays d'origine: IT	TAB. VII
		Date 02-10-14 Révision 04-09-27
<p>CARTOUCHE MAXIMALE</p> <p>Dimens. Valeur Tolér.</p> <p>d^{11} = 8.80 - 0.10 d_1^{11} = 10.45 - 0.30 T^{11} = 1.45 - 0.20 d_2 = 8.40 h = 8.35 - 0.35 l_1 = 10.50 l_2 = 12.00 α = 15°11'24" l = 45.00 - 2.50</p> 		
<p>CHAMBRE MINIMALE</p> <p>Dimens. Valeur Tolér.</p> <p>D^{11} = 8.85 + 0.10 G = 10.70 + 0.20 T^{11} = 1.45 + 0.10 D_1 = 8.80 B^{11} = 8.38 + 0.50 H^{11} = 8.38 + 0.10 α^{11} = 13°18' max L_1 = 10.50 L_2 = 12.30 L = 45.10 + 2.00</p> <p>Pression transducteur Pmax PK PE M 830 950 1080 9.00</p> <p>Feuilleure de l'arme Fe = 0.10 manomètre Feⁿ = 0.20 à bascule Feⁿ = 0.35 automatique</p> 		
<p>Echelle 1:1</p> <p>Dimensions en « mm » Dimensions et tolérances pour les canons d'épreuve: Voyez Annexe CR 4.</p> <p>Notes: 1) A contrôler pour la sécurité.</p> <p>Reproduction interdite, même partielle, sans l'autorisation de la C.I.P.</p>		

C.I.P.	7 mm Win. Short Mag. Pays d'origine: US	TAB. I
		Date 02-01-22 Révision 03-04-08
<p>CARTOUCHE MAXI</p> <p>Longueurs L1¹¹ = 43.23 - 0.20 L2¹¹ = 47.16 - 0.20 L3¹¹ = 53.34 L4 = 53.34 L5 = 53.34 L6 = 72.64</p> <p>Culot R = 1.37 R1 = 13.59 R3 = 13.59 E = 3.35 E1 = 12.19 e min = 1.02 delta = 45° f = 0.36 B = 35°</p> <p>Chambre à poudre P1 = 14.12 P2¹¹ = 13.66 - 0.20</p> <p>Cône de raccordement S = 70° S' = 52.98 r1 min = 1.27 r2 = 2.54</p> <p>Collet H1¹¹ = 8.15 H2¹¹ = 8.15</p> <p>Projectile G1¹¹ = 7.23 G2 = 7.23 F = 7.23 L3+G¹¹ = 58.56</p> <p>Pressions (Energies) Méthode transducteur Pmax = 4450 bar PK = 5118 bar PE = 5963 bar M = 25.00 EE = 4830 Joule</p> <p>Autres indications Feⁿ = 0.10 delta L = 0.10</p> 		
<p>CHAMBRE MINI</p> <p>Longueurs L1 = 43.10 L2 = 47.02 L3¹¹ = 53.59</p> <p>Cuvette R = 1.19 R1 = 14.19 R2 = 14.19 R3 = 14.19 f = 0.36</p> <p>Chambre à poudre E = 3.35 P1¹¹ = 14.15 P2¹¹ = 13.69</p> <p>Cône de raccordement S = 70° S' = 52.98 r1 max = 1.27 r2 = 3.05</p> <p>Collet H1¹¹ = 8.20 H2¹¹ = 8.18</p> <p>Prise de rayures G1¹¹ = 7.29 G = 7.29 alpha1 = 90° h = 0.44 s = 1°30' w = 0.10</p> <p>Canon F¹¹ = 7.04 Z = 7.21 b = 2.79 N = 6 u = 241.00 Q = 40.39 mm³</p> 		
<p>Echelle 1:1</p> <p>Dimensions en « mm » Dimensions et tolérances pour les canons d'épreuve: Voyez Annexe CR 1.</p> <p>Note: 1) A contrôler pour la sécurité. * Dimensions de base</p> <p>Reproduction interdite, même partielle, sans l'autorisation de la C.I.P.</p>		

Date

Treaty Series
and
Command Nos.

INTELLECTUAL PROPERTY(continued)



Date

Treaty Series
and
Command Nos.

INTELLECTUAL PROPERTY(continued)

C.I.P. **375 Rem. Ultra Mag.** **TAB. I**
Pays d'origine: US **Date** 02-01-22 **Révision** 04-05-18

CARTOUCHE MAXI		CHAMBRE MINI	
Longueurs			
L1 ¹⁾	= 60.64	L1	= 60.51
L2 ¹⁾	= 83.28	L2	= 83.13
L3 ¹⁾	= 72.39	L3 ¹⁾	= 72.64
L4	= 91.44	L4	= 91.44
L5	= 91.44	L5	= 91.44
L6	= 91.44	L6	= 91.44
Culot			
R	= 1.27	R	= 1.27
R1	= 13.56	R1	= 13.56
R3	= 3.75	R3	= 3.75
E1	= 12.07	E1	= 12.07
e min	= 0.94	e min	= 0.94
δ	= 35°	δ	= 35°
f	= 0.31	f	= 0.31
β	= 35°	β	= 35°
Chambre à poudre			
P1	= 13.99	P1 ¹⁾	= 14.04
P2 ¹⁾	= 13.33	P2 ¹⁾	= 13.36
Cône de raccordement			
α ¹⁾	= 90°	α ¹⁾	= 90°
S ¹⁾	= 72.18	S ¹⁾	= 72.08
r1 min	= 0.76	r1 max	= 0.76
r2	= 3.18	r2	= 3.18
Collet			
H1 ¹⁾	= 10.29	H1 ¹⁾	= 10.34
H2 ¹⁾	= 10.29	H2 ¹⁾	= 10.31
Prise de rayures			
G1 ¹⁾	= 9.55	G1 ¹⁾	= 9.55
G2	= 11.99	G2	= 11.99
F	= 0.38	F	= 0.38
L3+G ¹⁾	= 84.38	L3+G ¹⁾	= 84.38
h ¹⁾	= 4.83	h ¹⁾	= 4.83
i ¹⁾	= 1°	i ¹⁾	= 1°
w	= 1°	w	= 1°
Pressions (Énergies)			
Méthode transducteur			
Pmax	= 4400 bar	F ¹⁾	= 9.30
PK	= 5000 bar	Z ¹⁾	= 9.55
PE	= 5500 bar	Canon	= 9.30
M	= 25.00	Canon	= 9.55
EE	= 7300 Joule	Rayures	b = 2.92
Autres indications			
Fe ¹⁾	= 0.10	N	= 6
delta L	= 0.10	u	= 304.80
Notes: 1) A: contrôler pour la sécurité			
Dimensions de base			

Reproduction interdite, même partielle, sans l'autorisation de la C.I.P.

C.I.P. **240 FI. N.E.** **TAB. II**
Pays d'origine: GB **Date** 04-06-14 **Révision** 04-05-18

CARTOUCHE MAXI		CHAMBRE MINI	
Longueurs			
L1	= 49.53	L1	= 49.56
L2 ¹⁾	= 54.61	L2 ¹⁾	= 54.64
L3 ¹⁾	= 63.50	L3 ¹⁾	= 63.75
L4	= 82.55	L4	= 82.55
L5	= 82.55	L5	= 82.55
L6	= 82.55	L6	= 82.55
Culot			
R ¹⁾	= 1.09	R ¹⁾	= 1.12
R1	= 12.95	R1	= 13.21
R3	= 3.75	R3	= 3.75
E1	= 12.07	E1	= 12.07
e min	= 0.94	e min	= 0.94
δ	= 35°	δ	= 35°
f	= 0.30	f	= 0.30
β	= 45°	β	= 45°
Chambre à poudre			
P1	= 11.68	P1 ¹⁾	= 11.71
P2 ¹⁾	= 10.29	P2 ¹⁾	= 10.31
Cône de raccordement			
α ¹⁾	= 34°45'33"	α ¹⁾	= 34°39'25"
S ¹⁾	= 65.97	S ¹⁾	= 66.08
r1 min	= 4.57	r1 max	= 4.57
r2	= 4.57	r2	= 4.57
Collet			
H1 ¹⁾	= 7.11	H1 ¹⁾	= 7.14
H2 ¹⁾	= 7.11	H2 ¹⁾	= 7.14
Prise de rayures			
G1 ¹⁾	= 6.22	G1 ¹⁾	= 6.30
G2	= 11.99	G2	= 12.70
F	= 0.42	F	= 0.42
L3+G ¹⁾	= 76.20	L3+G ¹⁾	= 76.20
h ¹⁾	= 4.83	h ¹⁾	= 4.83
i ¹⁾	= 1°	i ¹⁾	= 1°
w	= 1°	w	= 1°
Pressions (Énergies)			
Méthode transducteur			
Pmax	= 3200 bar	F ¹⁾	= 6.02
PK	= 3680 bar	Z ¹⁾	= 6.22
PE	= 4200 bar	Canon	= 6.02
M	= 25.00	Canon	= 6.22
EE	= 2660 Joule	Rayures	b = 3.50
Autres indications			
Fe ¹⁾	= 0.15	N	= 4
delta L	= 0.15	u	= 203.00
Notes: 1) A: contrôler pour la sécurité			
Dimensions de base			

Reproduction interdite, même partielle, sans l'autorisation de la C.I.P.

C.I.P. **416 Rem. Mag.** **TAB. III**
Pays d'origine: US **Date** 05-09-10 **Révision** 04-05-18

CARTOUCHE MAXI		CHAMBRE MINI	
Longueurs			
L1	= 60.69	L1	= 60.88
L2	= 81.74	L2	= 81.93
L3 ¹⁾	= 72.39	L3 ¹⁾	= 72.96
L4	= 91.44	L4	= 91.44
L5	= 91.44	L5	= 91.44
L6	= 91.44	L6	= 91.44
Culot			
R	= 1.27	R	= 1.27
R1	= 13.51	R1	= 13.59
R3	= 3.75	R3	= 3.75
E1	= 12.06	E1	= 12.06
e min	= 0.94	e min	= 0.94
δ	= 35°	δ	= 35°
f	= 0.41	f	= 0.41
β	= 35°	β	= 35°
Chambre à poudre			
P1	= 13.02	P1 ¹⁾	= 13.05
P2 ¹⁾	= 12.36	P2 ¹⁾	= 12.39
Cône de raccordement			
α ¹⁾	= 50°	α ¹⁾	= 50°
S ¹⁾	= 73.94	S ¹⁾	= 74.17
r1 min	= 1.02	r1 max	= 0.76
r2	= 2.54	r2	= 3.18
Collet			
H1 ¹⁾	= 11.38	H1 ¹⁾	= 11.41
H2 ¹⁾	= 11.35	H2 ¹⁾	= 11.38
Prise de rayures			
G1 ¹⁾	= 10.57	G1 ¹⁾	= 10.62
G2	= 11.99	G2	= 10.42
F	= 0.38	F	= 0.38
L3+G ¹⁾	= 82.81	L3+G ¹⁾	= 82.81
h ¹⁾	= 5.46	h ¹⁾	= 5.46
i ¹⁾	= 1°30'	i ¹⁾	= 1°30'
w	= 1°30'	w	= 1°30'
Pressions (Énergies)			
Méthode transducteur			
Pmax	= 4500 bar	F ¹⁾	= 10.36
PK	= 4945 bar	Z ¹⁾	= 10.57
PE	= 5375 bar	Canon	= 10.36
M	= 25.00	Canon	= 10.57
EE	= 7245 Joule	Rayures	b = 3.25
Autres indications			
Fe ¹⁾	= 0.10	N	= 6
delta L	= 0.10	u	= 356.00
Notes: 1) A: contrôler pour la sécurité			
Dimensions de base			

Reproduction interdite, même partielle, sans l'autorisation de la C.I.P.

C.I.P. **416 Weath. Mag.** **TAB. III**
Pays d'origine: US **Date** 01-02-19 **Révision** 04-05-18

CARTOUCHE MAXI		CHAMBRE MINI	
Longueurs			
L1	= 60.66	L1	= 60.79
L2	= 82.64	L2	= 82.77
L3 ¹⁾	= 73.99	L3 ¹⁾	= 74.65
L4	= 95.25	L4	= 95.25
L5	= 95.25	L5	= 95.25
L6	= 95.25	L6	= 95.25
Culot			
R	= 1.60	R	= 1.60
R1	= 14.71	R1	= 15.39
R3	= 15.33	R3	= 15.39
E1	= 6.40	E1	= 6.40
E1	= 12.57	E1	= 12.57
e min	= 1.24	e min	= 1.24
δ	= 45°	δ	= 45°
f	= 0.30	f	= 0.30
β	= 45°	β	= 45°
Chambre à poudre			
P1	= 14.78	P1 ¹⁾	= 14.83
P2 ¹⁾	= 14.24	P2 ¹⁾	= 14.32
Cône de raccordement			
α ¹⁾	= 23°32'42"	α ¹⁾	= 72°34'00"
S ¹⁾	= 70.19	S ¹⁾	= 70.54
r1 min	= 3.30	r1 max	= 3.05
r2	= 4.17	r2	= 4.42
Collet			
H1 ¹⁾	= 11.28	H1 ¹⁾	= 11.41
H2 ¹⁾	= 11.28	H2 ¹⁾	= 11.38
Prise de rayures			
G1 ¹⁾	= 10.57	G1 ¹⁾	= 10.58
G2	= 11.99	G2	= 10.27
F	= 0.38	F	= 0.38
L3+G ¹⁾	= 84.26	L3+G ¹⁾	= 84.26
h ¹⁾	= 5.46	h ¹⁾	= 5.46
i ¹⁾	= 1°30'	i ¹⁾	= 1°30'
w	= 1°30'	w	= 1°30'
Pressions (Énergies)			
Méthode transducteur			
Pmax	= 4400 bar	F ¹⁾	= 10.36
PK	= 5060 bar	Z ¹⁾	= 10.57
PE	= 5500 bar	Canon	= 10.36
M	= 25.00	Canon	= 10.57
EE	= 9000 Joule	Rayures	b = 3.23
Autres indications			
Fe ¹⁾	= 0.10	N	= 6
delta L	= 0.10	u	= 356.00
Notes: 1) A: contrôler pour la sécurité			
Dimensions de base			

Reproduction interdite, même partielle, sans l'autorisation de la C.I.P.

Date

Treaty Series
and
Command Nos.


INTELLECTUAL PROPERTY(continued)

C.I.P.	38 S&W et Colt N.P. Pays d'origine: US	TAB. IV		
		Date	Révision	
		84-05-14	04-05-18	
		CHAMBRE MINI		
	CARTOUCHE MAXI Longueurs L1 = L2 = L3 ¹⁾ = 19.69 L4 = L5 = 31.50 Culot R ¹⁾ = 1.40 -0.25 R1 = 11.18 R2 = E = E1 = e min = f = 0.38 beta = 35° Chambre à poudre P1 = 9.82 P2 = Cône de raccordement alpha = S = r1 min = r2 = Collet H1 = H2 ¹⁾ = 9.79 Projectile G1 ¹⁾ = 9.17 G2 = F = L3+G ¹⁾ = 43.37 Pressions (Energies) Méthode transducteur Pmax = 1200 bar PE = 1380 bar M = 9.00 Autres indications Fe ¹⁾ = 0.25 delta L =	Longueurs L1 = L2 = L3 ¹⁾ = 19.65 L4 = L5 = Culot R ¹⁾ = 1.40 R1 = 11.28 R2 = E = E1 = e min = f = beta = Chambre à poudre P1 ¹⁾ = 9.91 P2 = Cône de raccordement alpha = S = r1 max = r2 = Collet H1 = H2 ¹⁾ = 9.86 Prise de rayures G1 ¹⁾ = 9.19 G2 = 23.68 G3 = 29° h = 1.49 s = 21.81 l ¹⁾ = 4'34'50" w = Canon f ¹⁾ = 8.89 z ¹⁾ = 9.13 Rayures D = 2.90 N = 5 U = 475.00 Q = 63.64 mm ²		
	Echelle 1:1 Dimensions en « mm » Dimensions et tolérances pour les canons d'épreuve: Voyez Annexe CR 1. Notes: 1) A contrôler pour la sécurité * Dimensions de base			

Reproduction interdite, même partielle, sans autorisation de la C.I.P.

C.I.P.	8,8 x 10 S.A.P.L. Pays d'origine: FR	TAB. X		
		Date	Révision	
		96-03-05	04-05-18	
		CHAMBRE MINI		
	CARTOUCHE MAXI Longueurs L1 = L2 = L3 ¹⁾ = 10.85 L4 = L5 = L6 = 15.80 Culot R = 1.50 R1 = 11.18 R2 = R3 = E = E1 = e min = f = 0.38 beta = 35° Chambre à poudre P1 = 9.63 P2 = Cône de raccordement alpha = S = r1 min = r2 = Collet H1 = H2 = Projectile G1 = 8.80 G2 = 8.43 G3 = 8.49 Hauteur projectile L7 = 8.10 Energie Emax = 6.0 Joule EK = 6.4 Joule EE = 6.6 Joule	Longueurs L1 ¹⁾ = 8.90 L2 = L3 = Culot R = R1 = R2 = R3 = E = E1 = f = beta = Chambre à poudre P1 ¹⁾ = 9.63 P2 = Cône de raccordement alpha = S = r1 max = r2 = Collet H1 = H2 = Prise de rayures G1 = G2 = G3 = h = s = l = w = Canon F = Z =		
	Echelle 2:1 Dimensions en « mm » Dimensions et tolérances pour les canons d'épreuve: CR 2 Notes: 1) A contrôler pour la sécurité * Dimensions de base			

Reproduction interdite, même partielle, sans autorisation de la C.I.P.



COPIE CERTIFIÉE CONFORME À L'ORIGINAL
 MET HET ORIGINEEL EENSLUICEND VERVAARD AFGEHOFT
 Bruxelles, le 24.08.05

*Le Chef de Service des Traités de
 Service public fédéral, Affaires étrangères de Belgique
 Hoofd van de Afdeling Verdragen van de
 Federale Overheidsdienst Buitenlandse Zaken van België*

Schels

	<i>Date</i>	<i>Treaty Series and Command Nos.</i>
<p>INTELLECTUAL PROPERTY(continued)</p> <p style="text-align: center;">COMMUNICATION</p> <p>According to Rule 3.3, Budapest Treaty, I am pleased to inform you that the assurances made by the European Patent Organisation in its communications dated 23 July 1981, 08 March 1988, 04 July 1990 and 06 December 1993, namely that the DSMZ complies with and will continue to comply with the requirements specified in Article 6.2, Budapest Treaty, are extended to archaea and, as far as plant cell cultures are concerned, to undifferentiated plant cell cultures, embryogenic plant cell cultures and tissues as well as <i>in vitro</i> shoot cultures.</p> <p style="text-align: center;"><i>[Original: English/French]</i></p> <p style="text-align: center;">ANNEX</p> <p>Kinds of Microorganisms Accepted by the DSMZ</p> <p>Bacteria and archaea (including those containing plasmids), fungi (including yeasts), bacteriophages, plasmid DNA's, plant viruses, plant cell cultures (undifferentiated plant cell cultures, embryogenic plant cell cultures and tissues, <i>in-vitro</i> shoot cultures), human and animal cell cultures, murine embryos.</p> <p>The DSMZ accepts for deposit only those microorganisms which, pursuant to Directive 2000/54/EC on the Protection of Workers from Risks Related to Exposure to Biological Agents at Work (OJ No. L262, pp.21-45 of 18.09.2000) or the respective German Law (Biostoffverordnung, (BGBl. I, pp. 50-60 as of 27.01.1999)) belong to risk group 1 or 2.</p> <p>Genetically manipulated organisms or isolated DNA must be processable in accordance with Class 1 or 2, of Directive 98/81/EC on the contained use of genetically modified microorganisms (OJ No. L330, pp. 13-31 of 05.12.1998) or safety level 81 or 82, of the German Law Regulating Genetic Engineering (BGBl. I, pp. 2067-2083 of 21.12.1993, last changed on 21.12.2004 (BGBl.I, pp. 186-196)).</p> <p>The biological material indicated above cannot be accepted if it is contaminated by foreign organisms.</p> <p>Plant viruses which cannot be multiplied through mechanical infection of plants cannot be accepted for deposit.</p> <p>Before preservation of murine embryos by the depositor and subsequent dispatch to the DSMZ, information concerning the method to be used must be obtained from the DSMZ.</p> <p>The DSMZ reserves the right to refuse to accept for deposit material which in its view represents an unacceptable hazard or which it is not in a position to process.</p> <p>In all instances, it must be possible to preserve the deposited material by lyophilization or storage in liquid nitrogen or by some other method of long-term preservation without significant change.</p>		

	<i>Date</i>	<i>Treaty Series and Command Nos.</i>
<p>INTELLECTUAL PROPERTY(continued)</p> <p>Note-</p> <p>On 01 September 2005, Secretary-General of WIPO, as depositary, received from the government <i>Russian Federation</i>, a communication, regarding Changes in the Mail and Electronic Addresses of and in the Schedule of Fees Charged by the Russian Collection of Microorganisms (NKM), and Changes in the Mail and Electronic Addresses of and in the Schedule of Fees Charged by Russian National Collection of Industrial Microorganisms (VKPM) as follows;</p> <p style="text-align: center;">COMMUNICATION</p> <p style="text-align: center;"><i>[Original: English]</i></p> <p>The Federal Service for Intellectual Property, Patents and Trademarks has the honour to refer to the Budapest Treaty on the International Recognition of the Deposit of Microorganisms for the Purposes of Patent Procedure.</p> <p>In accordance with Article 7, of the Treaty and Rules 3.1(b), 6.3 and 12.2, of the Regulations under the Treaty, the Federal Service for Intellectual Property, Patents and Trademarks hereby notifies the World Intellectual Property Organization (WIPO) of certain changes that have occurred in the activities of the All-Russian Collection of Microorganisms (VKM) and the Russian National Collection of Industrial Microorganisms (VKPM).</p> <p style="text-align: center;">ANNEX 1</p> <p style="text-align: center;">RUSSIAN FEDERATION</p> <p>INTERNATIONAL DEPOSITARY AUTHORITY</p> <p>Russian Collection of Microorganisms (VKM) G.K. Skryabin Institute of Biochemistry and Physiology of Microorganisms Russian Academy of Sciences Prospekt Nauki No.5 Pushchino 142290 (Moscow Region)</p> <p>Telephone: (7-095) 9257 448 Facsimile: (7-095) 9563 370 E-mail: vkm@ibpm.pushchino.ru Internet: http://www.vkm.ru</p> <p>KINDS OF MICROORGANISMS THAT MAY BE DEPOSITED</p> <p>Bacteria (including actinomycetes) and microscopic fungi (including yeasts), also if they are carriers of recombinant DNA, are accepted for deposit, to the exclusion of microorganisms that are covered by hazard categories in relation to man, animal or plant health and appear on the lists published by national regulatory authorities.</p>		

	<i>Date</i>	<i>Treaty Series and Command Nos.</i>								
<p>INTELLECTUAL PROPERTY(continued)</p> <p>VKM does not accept for deposit</p> <ul style="list-style-type: none"> – microorganisms whose manipulation needs physical containment levels P2, P3 or P4, as described in "Laboratory Safety Monographs"; – microorganisms liable to require viability testing that VKM is technically not able to carry out and mixtures of undefined and/or unidentifiable Microorganisms. 										
<table border="0"> <thead> <tr> <th data-bbox="162 672 821 705">SCHEDULE OF FEES</th> <th data-bbox="821 672 986 705"><u>USD</u></th> </tr> </thead> <tbody> <tr> <td data-bbox="162 728 821 761">(a) Storage</td> <td data-bbox="821 728 986 761">650</td> </tr> <tr> <td data-bbox="162 761 821 795">(b) Issuance of a viability statement</td> <td data-bbox="821 761 986 795">100</td> </tr> <tr> <td data-bbox="162 795 821 828">(c) Furnishing of a sample</td> <td data-bbox="821 795 986 828">130</td> </tr> </tbody> </table>	SCHEDULE OF FEES	<u>USD</u>	(a) Storage	650	(b) Issuance of a viability statement	100	(c) Furnishing of a sample	130		
SCHEDULE OF FEES	<u>USD</u>									
(a) Storage	650									
(b) Issuance of a viability statement	100									
(c) Furnishing of a sample	130									
<p>ANNEX 2</p>										
<p>RUSSIAN FEDERATION</p>										
<p>INTERNATIONAL DEPOSITARY AUTHORITY</p>										
<p>Russian National Collection of Industrial Microorganisms (VKPM) FGUP GosNII Genetika 1 Dorozhny proezd, 1 Moscow 117545</p> <p>Telephone: (7-095) 315 12 10 Facsimile: (7-095) 315 12 10 or 3150501 E-mail: vkpm@genetika.ru</p>										
<p>KINDS OF MICROORGANISMS THAT MAY BE DEPOSITED</p>										
<p>Bacteria (including actinomycetes) and microscopic fungi (including yeasts), bacteriophages, plasmids (in host or as an isolated DNA), plant cell cultures, animal and human cell cultures (including hybridoma lines), EXCEPT:</p> <ul style="list-style-type: none"> – microorganisms having properties which are or may be dangerous to health or the environment; – microorganisms which need the special containment required for experiments. 										
<p>Deposits containing recombinant DNA molecules must not require physical containment higher than level P2 as described in the National Institute of Health "Guidelines for Research Involving Recombinant DNA Molecules" (USA).</p>										

	<i>Date</i>	<i>Treaty Series and Command Nos.</i>
INTELLECTUAL PROPERTY (continued)		
<p>SCHEDULE OF FEES <u>Euros</u></p> <p>(a) Storage (30 years) 300</p> <p>(b) Issuance of a viability statement:</p> <p style="padding-left: 20px;">– bacteria, fungi, yeasts, bacteriophages 100</p> <p style="padding-left: 20px;">– cell lines, hybridomas 150</p> <p>(c) Furnishing of a sample:</p> <p style="padding-left: 20px;">– bacteria, fungi, yeasts, bacteriophages, plasmids 100</p> <p style="padding-left: 20px;">– cell lines, hybridomas 150</p> <p>(d) Communication of information or issuance of an attestation 25</p> <p>(e) Other fees (communication, carriage) according to real cost</p>		
<p>Note-</p> <p>On 08 July 2005, Secretary-General of WIPO, as depositary, received from the government <i>Spain</i>, a communication, as follows;</p>		
<p><i>[Translation: Original: Spanish]</i></p>		
<p>COMMUNICATION</p>		
<p>In accordance with article 7(1), of the Budapest Treaty on the International Recognition of the Deposit of Microorganisms for the Purposes of Patent Procedure, I have the honour, as the Director General of the Spanish Patent and Trademark Office, the competent industrial property authority, to submit the candidacy of the <i>Banco Nacional de Algas</i> (BNA) for the acquisition of the status of international depositary authority.</p>		
<p>In that connection, I hereby state that BNA meets and will continue to meet the requirements listed in Article 6(2), of the above Treaty, in so far as it is a research and development Center of the University of Las Palmas, Gran Canaria.</p>		
<p>The BNA will begin operating as an international authority for the deposit of microorganisms, in accordance with the provisions of the Budapest Treaty, from the time when the communication is published by WIPO.</p>		
<p>Attached is information on the proposed depositary institution (BNA), as required by the Budapest Treaty.</p>		
<p>ANNEX</p>		
<p>BANCO NACIONAL DE ALGAS (BNA)</p>		
<p>1. <i>Legal Status</i></p> <p>The <i>Banco Nacional de Algas</i> (BNA) was founded in 1998 and currently forms part of the Group of Applied Algology (Marine Biotechnology Center - CBM) of the University of Las Palmas, Gran Canaria (ULPGC) (Spain).</p>		

	<i>Date</i>	<i>Treaty Series and Command Nos.</i>
<p>INTELLECTUAL PROPERTY(continued)</p> <p>The BNA has been affiliated to the European Culture Collections Organization (ECCO) since 2001, and to the World Federation for Culture Collections (WFCC) since 2003, and has the registration number 837 at the World Data Centre for Microorganisms (WFCC-MIRCEN). The BNA enjoys the support of the Spanish Phycology Society (SEF) and the Higher Scientific Research Center (CSIC).</p> <p>The BNA has a collection of about 130 species of microalgae, cyanobacteria and macroalgae. The BNA also provides information on maintenance, cultivation and application of algae and standardised ecotoxicology biotesting with algae.</p> <p>2 <i>Name and Address</i></p> <p>Banco Nacional de Algas (BNA) Marine Biotechnology Center University of Las Palmas, Gran Canaria Muelle de Taliarte s/n 35214 - Telde Las Palmas Spain</p> <p>Telephone: (+34) 928 133290 Facsimile: (+34) 928 132830 E-mail: bna@ulpgc.es Internet: http://www.ulpgc.es/webs/cbm/</p> <p>3 <i>Facilities and Equipment</i></p> <p>The BNA does its work using the facilities of the Marine Biotechnology Center (CBM) of the University of Las Palmas, Gran Canaria. BNA staff can use all the services, equipment and facilities of the CBM, but the BNA also has its own services and facilities, necessary for the cultivation, verification and long-term conservation of microalgae, cyanobacteria and macroalgae. Cultures are routinely maintained by subculture. Only authorised staff have access to the strains kept at the BNA. The area occupied by the BNA is approximately 90m².</p> <p>Below is a list of the work areas and equipment which include:</p> <p>3.1 <i>Areas and equipment intended solely for the BNA</i></p> <p>3.1.1 <u>BNA Laboratory</u> (30 m²)</p> <p>This laboratory contains the following equipment:</p> <ul style="list-style-type: none"> • Becton Dickinson F ACScalibur flow cytometer, a piece of equipment traditionally used in hospitals to study cells, used for the implementation of the project: <i>Isolation, identification and selection of strains and monitoring of cultures by flow cytometry</i> 		

	<i>Date</i>	<i>Treaty Series and Command Nos.</i>
<p>INTELLECTUAL PROPERTY(continued)</p> <p>The flow cytometer can distinguish and separate microalgae, cyanobacteria and macroalgae spores on the basis of their morphological and metabolic characteristics, in a more effective and easier manner than the traditional methods used in the working protocols of the culture collections</p> <ul style="list-style-type: none"> • electrophoresis equipment • light pipette Luminova dissolved oxygen measuring device • PEA (Photosynthetic efficiency analysis device) • pH Meters • conductimeters • magnetic agitators oximeter <p>The cryoconserver, for which funding has been requested, will also be installed in this laboratory.</p> <p>3.1.2 <u>Sterile Room for Transfer of Cultures</u> (14 m²)</p> <p>Sterile room using pressurised (ultrafiltered) air and ultraviolet light, with an anti chamber for changing footwear and sterilised clothing. The sterile room contains the following:</p> <ul style="list-style-type: none"> • HEPA filter for injecting pressurised air • horizontal laminar flow cabin (Tel star H-100) where work is done to transfer cultures • dehumidifier, in order to avoid contamination by water condensation • 25L Hirayama autokey for sterilising culture media and glass and plastic material • refrigerator for keeping culture media • stereomicroscope <p><u>Culture Chambers</u></p> <ul style="list-style-type: none"> • <u>Collection Maintenance Chamber</u> (12 m²) Access to the chamber where the collection is kept is via the sterile room. Th, temperature in the chamber is regulated by an air conditioning system, which has been fixed at 15±2°C and an electrical installation for regulating the intensity and quality of light as well as the photoperiod. Around the chamber perimeter metal shelves are distributed where cultures are located in agarized and liquid media, the latter being agitated by orbital agitators. Each of the shelves is provided with two pairs of fluorescent white light or daylight, which provide between 30 and 200 µmol m⁻²s⁻¹ at a photoperiod of 16/8 L/O. • <u>Chamber for keeping cultures in the process of isolation and purification and ecotoxicity testing</u> (12 m²) The BNA laboratory provides direct access to this culture chamber. The chamber also has air conditioning which fixes the temperature at 20±2°C, an electrical installation for regulating the intensity and quality of light, as well as the photoperiod and a system for injecting air or a three per cent air-CO₂ mixture for liquid cultures. Around the chamber perimeter metal shelves are distributed where the cultures are located in agarized and liquid media (agitated by orbital agitators) and an area intended for cultivation in photobioreactors. 		

	<i>Date</i>	<i>Treaty Series and Command Nos.</i>
<p>INTELLECTUAL PROPERTY(continued)</p> <p>3.2 <i>Other work areas</i></p> <p><u>Laboratories</u> (120 m²)</p> <ul style="list-style-type: none"> • <u>Analysis laboratory</u>, containing the following equipment: High Performance Liquid Chromotography (HPLC), a gas chromatograph, Gerhardt total nitrogen measuring device, gas extraction cabin, HPLC chromatographic purification system, spectrophotometer. • <u>Humid laboratory</u>, containing the following equipment, Beckman centrifuge, Beckman ultracentrifuge, Beckman Eppendorf centrifuge, spectrophotometer, liofilizator, sealant, pH Meters, conductimeters, radiometers, system for acquiring pH and dissolved oxygen data for intensive cultivation systems (wintering devices), heaters, muffle oven, refrigerators, freezers and maintenance devices, water purification system, glass and plastic material washing device, autokeys. • <u>Laboratory for analysing nutrients and heavy metals</u>, containing: nitrate and ammonium sensors, FIA flow injection analysis device, and Trace Lab heavy metals analysis device. <p><u>Sterile Room</u> (12m²)</p> <p>In this room the raising of cultures in a liquid medium takes place, based on strains in agarized or liquid cultures (25 ml) until maximum 20L culture volumes are obtained. The room is equipped with UV light in order to sterilise the enclosed area and a laminar flow chamber (Telstar, AH-100).</p> <p><u>Reactant Room</u> (7 m²)</p> <p>A room where salts and inorganic reactants (classified and ordered on shelves) and organic products (classified and ordered in a cupboard with an automatic gas extraction system) are stored, intended for the preparation of culture and analytical media. This room contains the following equipment: seeding devices, precision scales, pH Meters and orbital agitators.</p> <p><u>Photography Room</u> (7 m²)</p> <p>Room for developing and enlarging photos, contains a development and enlargement system.</p> <p><u>Microscope Room</u> (12 m²)</p> <p>Room with stereomicroscope, optical microscope, inverted microscope and system for capturing images.</p>		

	<i>Date</i>	<i>Treaty Series and Command Nos.</i>
<p>INTELLECTUAL PROPERTY(continued)</p> <p><u>Wintering Devices</u> (1,025m²)</p> <p>The wintering devices are equipped with an airing and a sea and fresh water channelling system:</p> <ul style="list-style-type: none"> • wintering device 1. Maintenance and cultivation of macro algae in tanks and photobioreactors • wintering device 2 for cultivating microalgae and cyanobacteria with raceways-type culture systems (200 m² of usable area), photobioreactors and tanks <p><u>Harvesting and Processing Plant</u> (1,000m²)</p> <ul style="list-style-type: none"> • fish cultivation area: cultivation tanks, pumps for seawater and airing • drying room: grinder, mill, 50°c drier and atomizer • extraction room: homogenizer, rotavapor and extraction chamber • digestion and processing room: digesters and centrifuge - separator • store for dry macroalgae and microalgae • store for salts for preparing cultures in wintering device • store for submarine activity equipment • workshop • garage: van with trailer and sampling vessel <p><u>Classroom - library</u> (55m²)</p> <p><u>Administration</u> (10 m²)</p> <p><u>Offices</u> (100m²)</p> <p><u>Apartment</u> for six persons (90 m²)</p> <p><u>Kitchen-Dining Room</u> (30 m²)</p> <p>4. <i>Staff</i></p> <p>The BNA has nine staff members, seven of whom hold academic posts and two others are technical staff.</p> <p>The staff are qualified and trained to carry out the scientific and administrative tasks required by the Budapest Treaty. Appropriate measures are taken to safeguard secrecy, and ensure the objectivity and impartiality of the BNA. The work of the staff is as follows:</p> <ul style="list-style-type: none"> • management and general coordination • conservation, sampling and monitoring viability of samples • scientific work of direct application: flow cytometry, intensive cultures integrated polycultures, algalization processes and environmental application ecotoxicity testing • administrative work relating to cataloguing of strains, receipt, dispatch, purchase of material, etc. • technical work for maintenance of facilities and small laboratory teams 		

			<i>Date</i>	<i>Treaty Series and Command Nos.</i>
INTELLECTUAL PROPERTY (continued)				
Staff relations:				
Antera Martel Quintana	Doctor of Maritime Sciences	BNA Conservation Specialist Cultivation and maintenance of microalgae and cyanobacteria		
Guillermo Garcia Reina	Doctor of Biology	University Professor CBM Director		
Juan Luis Gómez Pinchetti	Doctor of Maritime Sciences	University Professor Flow Cytometry Technician Macroalgae Expert		
Ascension Viera Rodriguez	Doctor of Biology Taxonomist	University Professor Herbaceous Conservation Specialist of the Department of Biology, ULPGC-BCM		
Javier Aristegui Ruíz	Doctor of Biology Marine Ecologist	University Professor Expert in Phytoplankton, Primary Production and Cytometry		
Alicia Ojeda Rodriguez	Doctor of Maritime Sciences Taxonomist	ICCM Researcher Expert in Dinoflagellates		
Emilio Soler Onís	Maritime Science Specialist Taxonomist	Researcher Expert in Taxonomy of Macroalgae and Microalgae		
Elena Santana López	Administrative Assistant	Administration		
Fernando Guzmán Rodríguez	Laboratory Technician	Specialist Technician		
5.	<i>Type of Organisms, which may be Accepted as a Deposit</i>			
	Freshwater microalgae and cyanobacteria, salt, hypersalt, marine and terrestrial creatures, and marine macroalgae (complete plant) which can be preserved, with no change to their properties, by means of a subculture.			

	<i>Date</i>	<i>Treaty Series and Command Nos.</i>
<p>INTELLECTUAL PROPERTY(continued)</p>		
<p>The BNA will shortly accept microalgae, cyanobacteria and macroalgae (tissue or spores), which will be preserved by means of cryopreservation without any change being made thereby to their properties.</p>		
<p>6. <i>Technical Requirements and Procedures</i></p>		
<p>6.1 <i>Form and Quantity</i></p>		
<p>Organisms must be submitted for deposit as liquid cultures or in agar. The minimum number of identical copies that must be supplied for deposit is five. The cultures of microalgae and cyanobacteria shall contain a minimum of 102 to 104 cells per millilitre, depending on the species and three plants in the case of macroalgae.</p>		
<p>6.2 <i>Time Required for Analysis of Viability</i></p>		
<p>The average time required for analysing viability of microalgae, cyanobacteria and macroalgae accepted by the BNA is seven days, but depositors must take into account that in some cases analysis can take up to 35 days.</p>		
<p>6.3 <i>Depositor and Renewal of Strains</i></p>		
<p>The BNA will prepare its own lots of organisms at the time of deposit, and will make a subculture of the material supplied by the depositor. The new lots are prepared according to the needs for renewal of lots, which have been exhausted. Where the original material has been cryopreserved, the lots will be renewed by means of a subculture thereof or by requesting a new deposit from the depositor. The depositor will be required to analyse the authenticity of the samples of the first lot (not of subsequent lots) of the organisms prepared by the BNA. Except for the cryopreserved material, the BNA shall not store the material supplied by the depositor.</p>		
<p>7. <i>Administrative Requirements and Procedures</i></p>		
<p>7.1 <i>Language</i></p>		
<p>The official languages of the BNA are Spanish and English.</p>		
<p>7.2 <i>Contract</i></p>		
<p>The depositor will be required to complete the BNA application form, which constitutes a contract by means of which the depositor agrees to:</p>		

	<i>Date</i>	<i>Treaty Series and Command Nos.</i>
<p>INTELLECTUAL PROPERTY(continued)</p> <ul style="list-style-type: none"> • supply all the information requested by the BNA • pay all the requisite fees • compensate the BNA for any claim that may arise as a result of the dispatch of samples, unless such claims are due to negligence on the part of the BNA • not withdraw his deposit during the period required for its due storage • authorise the BNA to supply samples, in accordance with the patent procedure requirements in force at that time <p>Where an organism has been accepted for deposit, the BNA will notify the depositor accordingly and will remind him that he is subject to the terms and conditions of the contract.</p> <p>7.3 <i>Regulations for Import and/or Quarantine</i></p> <p>The type of organisms accepted by the BNA is not subject to import and/or quarantine regulations.</p> <p>7.4 <i>Making the Original Deposit</i></p> <p>Depositors must complete the application and access forms used by the BNA for deposits, according to the Budapest Treaty, equivalent to model BPI/1.</p> <p>7.5 <i>Official Notifications to the Depositor</i></p> <p>Receipt and declaration of viability are published in the compulsory <i>international models</i> BP/4 and BP/9 respectively. The certificate of receipt of information or a subsequent amendment of the scientific description and/or proposal for taxonomic designation is published in model BP/8. Notification of submission of samples to third parties is published in model BP/14. For other official notifications standard models will not be used.</p> <p>7.6 <i>Non-Official Notifications to the Depositor</i></p> <p>If requested, the BNA will communicate by telephone, fax or electronic mail the date of deposit and entry number after the organism has been received, but before the official receipt is published. However, the depositor will be informed that the information is provisional and that it depends on the result of the viability tests. The BNA will also communicate the result of the viability analysis before the certificate therefor is published.</p> <p>7.7 <i>Submission of Information to the Patent Agent</i></p> <p>As a matter of course, the BNA will ask the depositor for the name and address of his patent agent. If required, the BNA will supply copies of the receipt of the samples, the state of viability and any other information to the depositor and to his patent agent.</p>		

	<i>Date</i>	<i>Treaty Series and Command Nos.</i>														
INTELLECTUAL PROPERTY (continued)																
<p>7.8 <i>Conversion of Previous Deposits</i></p> <p>The BNA does not hold deposits made for patent purposes beyond what is stipulated in the Budapest Treaty.</p>																
<p>7.9 <i>Making a New Deposit</i></p> <p>When the depositor makes a new deposit, he will be asked to complete the model form BP/2 and to attach the most relevant documents required by Article 12, The receipt and certificate of viability for a new deposit will be published as a matter of course in the international models BP/5 and BP/9.</p>																
<p>8. <i>Supply of Samples</i></p>																
<p>8.1 <i>Requests for Samples</i></p> <p>The BNA will inform third parties of the procedures for the correct filing of applications. In the case of requests where supporting authorization is required, the BNA will provide the requesting parties with the application forms used by industrial property offices.</p> <p>Where requests are received from abroad, the BNA assumes that the depositor is familiar with the requirements for import from his country.</p> <p>All the samples sent by the BNA come from lots containing its own preparations.</p>																
<p>8.2 <i>Notification to the Depositor</i></p> <p>The depositor will be informed, by letter and electronic mail, when samples of his organisms have been sent to third parties.</p>																
<p>8.3 <i>Deposit Catalogue under the Budapest Treaty</i></p> <p>The BNA will publish the lists of deposits under the Budapest Treaty in its catalogues only with the written authorization of the depositor.</p>																
<p>9. List of Fees</p>																
<table border="0"> <thead> <tr> <th></th> <th style="text-align: right;"><u>Euros</u></th> </tr> </thead> <tbody> <tr> <td>9.1 Storage:</td> <td></td> </tr> <tr> <td> (a) Cryopreserved strains</td> <td style="text-align: right;">950</td> </tr> <tr> <td> (b) Other methods</td> <td style="text-align: right;">600</td> </tr> <tr> <td>9.2 Publication of viability status</td> <td style="text-align: right;">100</td> </tr> <tr> <td>9.3 Supply of samples</td> <td style="text-align: right;">60 (plus dispatch costs)</td> </tr> <tr> <td> Communication of information (Rule 7.6)</td> <td style="text-align: right;">40</td> </tr> </tbody> </table>		<u>Euros</u>	9.1 Storage:		(a) Cryopreserved strains	950	(b) Other methods	600	9.2 Publication of viability status	100	9.3 Supply of samples	60 (plus dispatch costs)	Communication of information (Rule 7.6)	40		
	<u>Euros</u>															
9.1 Storage:																
(a) Cryopreserved strains	950															
(b) Other methods	600															
9.2 Publication of viability status	100															
9.3 Supply of samples	60 (plus dispatch costs)															
Communication of information (Rule 7.6)	40															
<p>10. <i>Date on which the BNA Agrees to Operate as an International Depositary Authority</i></p>																

	<i>Date</i>	<i>Treaty Series and Command Nos.</i>
LAW OF SEA		
United Nations Convention on the Law of the Sea	Montego Bay, Jamaica 10 Dec., 1982 -09 Dec., 1984	081/1999 Cm 4524
<p>Note-</p> <p>On 07 October 2005, the Secretary-General of the United Nations, as depositary, communicated the following;</p>		
<p>...By the date on which the 30 day period specified for the notification of objections to the proposed correction expired¹, the 07 October 2005, no objection had been notified to the Secretary-General.</p>		
<p>Consequently, the Secretary-General has effected the required correction in the original of the Convention (Spanish authentic text) as well as in the certified true copies. The corresponding proces- verbal of rectification is transmitted herewith.</p>		
<p><i>A menos que decida otra cosa, la Comisión funcionará mediante subcomisiones integradas por siete miembros, designados de forma equilibrada teniendo en cuenta los elementos específicos de cada presentación hecha por un Estado ribereño. Los miembros de la Comisión nacionales del Estado ribereño que haya hecho la presentación o los que hayan asistido a ese Estado prestando asesoramiento científico y técnico con respecto al trazado de las líneas no podrán ser miembros de la subcomisión que se ocupe de esa presentación, pero tendrán derecho a participar en calidad de miembros en las actuaciones de la Comisión relativas a dicha presentación. El Estado ribereño que haya hecho una presentación a la Comisión podrá enviar a sus representantes para que participen en las actuaciones correspondientes, sin derecho de voto.</i></p>		
<p>¹ Refer to depositary notification C.N.694.2005.TREATIES-5 of 07 September.2005 (proposal of to correction to Article 5 of Annex II of the authentic Spanish text of the Convention)</p>		
<p>Note-</p> <p>On 14 September 2005, the Secretary-General of the United Nations, as depositary, received from the government of the United Kingdom of Great Britain and Northern Ireland, a communication¹, as follows;</p>		
<p>... Mr. David Anderson CMG QC, has been nominated Arbitrator under article 2, paragraph 1, of Annex VII of the Convention for inclusion in the list of arbitrators.</p>		
<p>¹ Refer to depositary notification C.N.338.1997.TREATIES- 7 of 03 September 1997</p>		

	<i>Date</i>	<i>Treaty Series and Command Nos.</i>
LAW OF SEA (continued)		
Agreement for the Implementation of the Provisions of the United Nations Convention on the Law of the Sea of 10 December 1982 relating to the Conservation and Management of Straddling Fish Stocks and Highly Migratory Fish Stocks	New York 04 Dec., 1995 -04 Dec., 1996	019/2004 Cm 6176
Accession-		
Guinea	16 Sep., 2005	
Kiribati	15 Sep., 2005	
Liberia	16 Sep., 2005	
Entry into Force-		
Guinea	16 Oct., 2005	
Kiribati	15 Oct., 2005	
Liberia	16 Oct., 2005	
Protocol on the Privileges and Immunities of the International Seabed Authority	Kingston 27 Mar., 1998	025/2004 Cm 6260
Accession-		
India	14 Nov., 2005	
Entry into Force-		
India	14 Dec., 2005	
LAW OF TREATIES		
Vienna Convention on the Law of Treaties	Vienna 23 May, 1996 -30 Nov., 1969	058/1980 Cmnd 7964
Ratification-		
Guyana	16 Sep., 2005	
Accession-		
Guinea	16 Sep., 2005	
Kiribati	15 Sep., 2005	
Maldives	14 Sep., 2005	
Entry into Force-		
Guinea	15 Oct., 2005	
Guyana	16 Oct., 2005	
Kiribati	15 Oct., 2005	
Maldives	14 Oct., 2005	
MISCELLANEOUS, ECONOMIC AND FINANCIAL		
International Convention on Stamp Laws in connexion with Cheques	Geneva 19 Mar., 1931	026/1933 Cmd 4446
Accession-		
Liberia	16 Sep., 2005	
Entry into Force -		
Liberia	15 Dec., 2005	

	<i>Date</i>	<i>Treaty Series and Command Nos.</i>
NATIONALITY & PASSPORTS		
International Protocol relating to Military Obligations in certain cases of Double Nationality	The Hague 12 Apr., 1930	022/1937 Cmd 5460
Application- Liberia	16 Sep., 2005	
Entry into Force- Liberia	15 Dec., 2005	
International Convention on certain questions relating to the Conflict of Nationality Laws	The Hague 12 Apr., 1930	033/1937 Cmd 5553
Application- Liberia	16 Sep., 2005	
Entry into Force- Liberia	15 Dec., 2005	
Convention on the Nationality of Married Women	New York 20 Feb., 1957	059/1958 Cmnd 601
Accession - Liberia	16 Sep., 2005	
Entry into Force- Liberia	15 Dec., 2005	
European Agreement on Travel by Young Persons on Collective Passports between the member countries of the Council of Europe	Paris 16 Dec., 1961	052/1964 Cmnd 2482
Signature- Ukraine	29 Nov., 2005	
OCEANOGRAPHY		
Convention on the International Hydrographic Organisation	Monaco 03 May., 1967	030/1971 Cmnd 4682
Accession- Mauritius	04 Aug., 2005	
Entry into Force- Mauritius	04 Aug., 2005	
PLANTS AND PESTS		
1991 Act amending the International Convention for the Protection of New Varieties of Plants, 1961	Geneva 19 Mar., 1991	012/2001 Cm5045
Accession- Albania	15 Sep., 2005	

	<i>Date</i>	<i>Treaty Series and Command Nos.</i>
PLANTS AND PESTS (continued)		
Entry into Force- Albania	15 Oct., 2005	
POLLUTION		
Convention on Environmental Impact Assessment in a Transboundary Context	Espoo/New York 25 Feb., 1991 -02 Sep., 1991	012/1998 Cm 3879
Acceptance- Belarus	10 Nov., 2005	
Entry into Force - Belarus	08 Feb., 2006	
Amendment to the Montreal Protocol on substances that deplete the ozone layer, adopted at the ninth Meeting of the Parties held at Montreal 15-17 September 1997	Adopted Montreal 17 Sep., 1997	036/2002 Cm 5593 <i>See also</i> 055/2002 Cm 5725
Ratification- Costa Rica	01 Dec., 2005	
Acceptance- Cuba	11 Sep., 2005	
Ireland	06 Oct., 2005	
Entry into Force- Costa Rica	01 Mar., 2006	
Cuba	12 Dec., 2005	
Ireland	04 Jan., 2006	
Amendment to the Montreal Protocol on Substances that Deplete the Ozone Layer	Beijing 03 Dec., 1999	055/2002 Cm 5725
Ratification- Kyrgyzstan	05 Oct., 2005	
Accession- Romania	17 Nov., 2005	
Acceptance- Cuba	12 Sep., 2005	
Ireland	06 Oct., 2005	
Entry into Force - Cuba	11 Dec., 2005	
Kyrgyzstan	03 Jan., 2006	
Ireland	04 Jan., 2006	
Romania	15 Feb., 2006	

	Date	Treaty Series and Command Nos.
PRIVATE INTERNATIONAL LAW (continued)		
Convention on the Taking of Evidence Abroad in Civil or Commercial Matters	The Hague 18 Mar., 1970	020/1977 Cmnd 6727
<p>Note-</p> <p>On 17 August 2005, Secretary-General of the Kingdom of the Netherlands, as depositary, received from the government of <i>China</i>, a declaration, as follows;</p> <p>In accordance with the relevant provisions of the Basic Law of the Special Administrative Region of Hong Kong of the People's Republic of China and the Basic Law of the Special Administrative Region of Macao of the People's Republic of China, the above acceptance applies to both the Special Administrative Region of Hong Kong and the Special Administrative Region of Macao.</p>		
<p>Note-</p> <p>On 15 November 2005, Secretary-General of the Kingdom of the Netherlands, as depositary, received from the government of <i>France</i>, a notification, as follows;</p> <p>Central Authority in accordance with the provisions of article 2 of the Convention and competent authority in accordance with the provisions of articles 16 and 17 of the Convention:</p>		
<p style="text-align: center;"><u>AUTHORITY</u> (modification)</p> <p>Ministère de la Justice Direction des Affaires Civiles et du Sceau Bureau de l'entraide civile et commerciale internationale (D3) 13, Place Vendôme 75042 Paris Cedex 01</p> <p>Tel: + 33 (1) 44776452 Fax: + 33 (1) 44 77 61 22 E-mail: entraide-civile-internationale@justice.gouv.fr</p> <p>Persons to contact: Mrs Beatrice BIONDI Magistrat Chef du Bureau (languages of communication: French, Spanish, English) Tel: + 33 (1) 44 77 66 34</p> <p>Mr Michel RISPE Magistrat Adjoint au chef du bureau (languages of communication: French, Spanish, English) Tel: + 33 (1) 44 77 65 78</p>		
<p>Note-</p> <p>On 07 November 2005, Secretary-General of the Kingdom of the Netherlands, as depositary, received from the government of <i>Monaco</i>, a notification, as follows;</p>		

	Date	<i>Treaty Series and Command Nos.</i>
PRIVATE INTERNATIONAL LAW (continued)		
<u>AUTHORITY</u> (modification)		
Direction des Services Judiciaires Palais de Justice 5, Rue Colonel Bellando de Castro 98000 MONACO Tel: +37793 158430 or +37793 158366 Fax: +377 93 15 85 89		
Contact person: Mrs Sabine-Anne Minazzoli Substitut détaché à la Direction des Services judiciaires E-mail: sminazzolli@gouv.mc		
Mr Michel RISPE Magistrat Adjoint au chef du bureau (languages of communication: French, Spanish, and English) Tel: + 33 (1) 44 77 65 78		
<u>Notification pursuant to Article 42 of the Convention</u>		
The following State has declared its acceptance of the accession <i>of Argentina, Australia, Barbados, Belarus, Bulgaria, China, Cyprus, Estonia, Hungary Kuwait, Latvia, Lithuania, Mexico, Poland, Romania, Russian Federation, Seychelles, Singapore, Slovenia , South Africa, Sri Lanka, Ukraine and Venezuela.</i>		
Greece	29 Sep., 2005	
In accordance with Article 39, the Convention will enter into force between <i>Greece</i> and		
Argentina	28 Nov., 2005	
Australia	28 Nov., 2005	
Barbados	28 Nov., 2005	
Belarus	28 Nov., 2005	
Bulgaria	28 Nov., 2005	
China	28 Nov., 2005	
Cyprus	28 Nov., 2005	
Estonia	28 Nov., 2005	
Hungary	28 Nov., 2005	
Kuwait	28 Nov., 2005	
Latvia	28 Nov., 2005	
Lithuania	28 Nov., 2005	
Mexico	28 Nov., 2005	
Poland	28 Nov., 2005	
Romania	28 Nov., 2005	
Russian Federation	28 Nov., 2005	
Seychelles	28 Nov., 2005	
Singapore	28 Nov., 2005	
Slovenia	28 Nov., 2005	
South Africa	28 Nov., 2005	
Sri Lanka	28 Nov., 2005	
Ukraine	28 Nov., 2005	
Venezuela	28 Nov., 2005	

	<i>Date</i>	<i>Treaty Series and Command Nos.</i>
PRIVATE INTERNATIONAL LAW (continued)		
The following State has declared their acceptance of the accession of <i>Romania</i> China	17 Aug., 2005	
In accordance with Article 39, the Convention will enter into force between <i>China</i> and Romania	16 Oct., 2005	
The following State has declared their acceptance of the accession of <i>Seychelles</i> Finland	29 Aug., 2005	
In accordance with Article 39, the Convention will enter into force between <i>Finland</i> and Seychelles	28 Oct., 2005	
The following State has declared their acceptance of the accession of <i>Hungary, Kuwait, Romania, Seychelles</i> and Switzerland	12 Sep., 2005	
In accordance with Article 39, the Convention will enter into force between <i>Switzerland</i> and Hungary	11 Nov., 2005	
Kuwait	11 Nov., 2005	
Romania	11 Nov., 2005	
Seychelles	11 Nov., 2005	
Convention on the Recognition and Enforcement of Decisions relating to Maintenance Obligations	The Hague 02 Oct., 1973	049/1980 Cmnd 7939
<p>Note-</p> <p>On 15 August 2003, Secretary-General of the Kingdom of the Netherlands, as depositary, received from the government of <i>the United Kingdom</i>, the following;</p> <p>In accordance with Article 32, paragraph 2, the Government of the United Kingdom of Great Britain and Northern Ireland notified the Ministry of Foreign Affairs of the Kingdom of the Netherlands on 15 August 2003, of the extension of the above-mentioned Convention to the Bailiwick of Jersey, a territory for the international relations of which the United Kingdom is responsible.</p> <p>In accordance with Article 35, the Convention entered into force for the Bailiwick of Jersey on 01 November 2003</p>		
<p><u>AUTHORITY</u> The Attorney General of Jersey William J. Bailhache, QC HM Attorney General Law Officers Dept Morier House St Helier, Jersey JE1 1DD</p> <p style="text-align: right;">Tel 0044 1534502200 Fax 00441534502299 Email law.officers@jersey.gov.je</p>		

	<i>Date</i>	<i>Treaty Series and Command Nos.</i>
<p>PRIVATE INTERNATIONAL LAW (continued)</p> <p>The person to contact: Mrs Sabine-Anne Minazzoli Substitut détaché à la Direction des Services judiciaires E-mail: sminazzoli@gouv.mc</p> <p>Note-</p> <p>On 15 November 2005, Secretary-General of the Kingdom of the Netherlands, as depositary, received from the government of <i>France</i>, a notification, as follows;</p> <p style="text-align: center;"><u>CENTRAL AUTHORITY</u></p> <p>Bureau de l'entraide civile et commerciale internationale (D3) Direction des Affaires Civiles et du Sceau Ministère de la Justice 13, Place Vendôme 75042 Paris Cedex 01 Tel: + 33 (1) 44776452 Fax: + 33 (1) 44 77 61 22</p> <p>Persons to contact: E-mail: entraide-civile-internationale@justice.gouv.fr</p> <p>Mrs Béatrice BIONDI Magistrat Chef du Bureau (languages of communication: French, Spanish, English) Tel: + 33 (1) 44776634</p> <p>Mr. François THOMAS - Magistrat, adjoint au chef du bureau (languages of communication: French, English) tel.: +33 (1) 447765 15</p> <p>Mrs. Marie-Caroline CELEYRON-BOUILLOT (languages of communication: French, English) tel.: +33 (1) 44 77 6548</p> <p>Mr. Mahrez ABASSI - Magistrat (languages of communication: French, English) tel.: +33 (1) 44 776676</p> <p>Miss Julie VALLA T - Juriste (languages of communication: French, Spanish, English) tel.: +33 (1) 44776626</p> <p>Mrs. Magali DOUMENQ - Educatrice (language of communication: French, English) tel.: +33 (1) 44776675</p> <p>Miss Arlette URIE - Rédactrice (language of communication: French) tel.: +33 (1) 44776210</p> <p>Miss Paule PERRIOLLA T - Rédactrice (language of communication: French, English) tel.: +33 (1) 447762 16</p>		

	<i>Date</i>	<i>Treaty Series and Command Nos.</i>
PRIVATE INTERNATIONAL LAW (continued)		
Miss Vanessa TOGNETTI - Rédactrice (language of communication: French, English) tel.: +33 (1) 44 77 62 37		
Convention on Protection of Children and Co-operation in respect of Intercountry Adoption	The Hague 29 May, 1993	046/2003 Cm 6010
Ratification- China (<i>with declaration*</i>)	16 Sep., 2005	
Entry into Force- China	01 Jan., 2006	
Extension by Canada- Quebec (<i>with declaration</i> ⁺)	26 Oct., 2005	
Newfoundland	15 Aug., 2005	
Entry into Force- Quebec	01 Feb., 2006	
<p><i>Declaration*</i></p> <p>In accordance with Article 22(4), of the Convention, the adoption of children habitually resident in the Hong Kong Special Administrative Region of the People's Republic of China may only take place if the functions of the Central Authorities are performed by public authorities or bodies accredited under Chapter III of the Convention.</p> <p>In accordance with Article 25, the Hong Kong Special Administrative Region of the People's Republic of China is not bound under this Convention to recognise adoptions made in accordance with an agreement concluded by application of Article 39, paragraph 2.</p>		
<p><i>Declaration</i>⁺</p> <p>The Government of Canada declares, in accordance with Article 45, that the Convention shall now extend to Quebec, in addition to Alberta, British Columbia, Manitoba, New Brunswick, Newfoundland and Labrador, Nova Scotia, Ontario, Prince Edward Island, Saskatchewan, the Yukon, Northwest Territories, and Nunavut, and that it may modify this declaration by submitting another declaration at any time.</p> <p>The Government of Canada also declares, in accordance with Article 22.4, the adoptions of children habitually resident in Quebec may only take place if the functions of the Central Authorities are performed by public authorities or by bodies accredited under Chapter III.</p> <p>The Government of Canada also declares, in accordance with Article 25, that adoptions made in accordance with an agreement concluded by application of Article 39, paragraph 2, will not be bound to be recognized in Quebec under the Convention.</p>		

	<i>Date</i>	<i>Treaty Series and Command Nos.</i>
<p>PRIVATE INTERNATIONAL LAW (continued)</p> <p>Note-</p> <p>On 07 November 2005, Secretary-General of the Kingdom of the Netherlands, as depositary, received from the government of <i>Monaco</i>, a notification, as follows;</p> <p style="text-align: center;"><u>AUTHORITY</u></p> <p>Direction des Services Judiciaires Palais de Justice 5, Rue Colonel Bellando de Castro 98000 MONACO Tel: +37793 158430 or +37793 158366 Fax: +377 93 15 85 89</p> <p>The person to contact: Mrs Sabine-Anne Minazzoli Substitut détaché à la Direction des Services judiciaires E-mail: sminazzolli@gouv.mc</p> <p>Note-</p> <p>On 04 October 2005, Secretary-General of the Kingdom of the Netherlands, as depositary, received from the government <i>Norway</i>, a notification, as follows;</p> <p>The Norwegian Directorate for Children, Youth and Family Affairs issues certificates in accordance with paragraph 1 of Article 23, when the adoption has taken place in Norway or when a foreign adoption order has been converted into an adoption in Norway in accordance with Article 27.</p> <p style="text-align: center;"><u>AUTHORITY</u></p> <p>Norwegian Directorate for Children, Youth and Family Affairs (Barne-, ungdoms- og familiedirektoratet) Address: P.O. Box 8113 Dep., 0032 Oslo, Norway Telephone: + 4724044000 Fax: + 47 24 04 40 01 E-mail: post@bufdir.no www.bufetat.no</p> <p>Subordinate to the Directorate, there are five regional offices, to which some procedural functions have been delegated in accordance with paragraph 1, of Article 22. In most cases, applications for adoption shall now be made to the competent regional office, which is authorised to grant preliminary approval for the adoption of a child resident in another state. The Directorate is the appellate instance. If, in an exceptional case, an adoption is to be arranged without the services of an accredited adoption agency, the Directorate itself (the central authority) will still grant the preliminary approval in the first instance. The Ministry of Children and Family Affairs is then the appellate instance.</p> <p style="text-align: center;"><u>The regional offices and their addresses are:</u></p> <p>– Regional Office for Children, Youth and Family Affairs, Southern Norway (Barne-, ungdoms- og familieetaten, region sør) P.O. Box 2403, 3104 Tønsberg, Norway</p>		

	<i>Date</i>	<i>Treaty Series and Command Nos.</i>
PRIVATE INTERNATIONAL LAW (continued)		
<ul style="list-style-type: none"> – Regional Office for Children, Youth and Family Affairs, Western Norway (Barne-, ungdoms- og familieetaten, region vest) Strandgaten 59, 5004 Bergen, Norway – Regional Office for Children, Youth and Family Affairs, Eastern Norway (Barne-, ungdoms- og familieetaten, region øst) P.O. Box 7024 St. Olavs plass, 0164 Oslo, Norway – Regional Office for Children, Youth and Family Affairs, Central Norway (Barne-, ungdoms- og familieetaten, region Midt-Norge) P .O. Box 73 Tiller, 7475 Trondheim, Norway – Regional Office for Children, Youth and Family Affairs, Northern Norway (Barne-, ungdoms- og familieetaten, region nord) Postboks 2162 Elvebakken, 9508 Alta, Norway 		
<p>Note-</p> <p>On 22 September 2005, Secretary-General of the Kingdom of the Netherlands, as depositary, received from the government of <i>Turkey</i>, a notification, as follows;</p> <p style="text-align: center;"><u>AUTHORITY</u></p> <p>The Prime Ministry of the Republic of Turkey General Directorate for Social Services and Child Protection Institution, Department for Child Services Anafartalar Cad. No.: 70 Ulus/Ankara Turkey</p> <p>E-mail: evlatedinme@shcek.gov.tr Tel: (90)(312)310 24 60/1453-1451 (90)(312)3118741 Fax: (90)(312)311 9365</p>		
PRIVILEGES AND IMMUNITIES		
Convention on the Privileges and Immunities of the United Nations	Adopted London 13 Feb., 1946	010/1950 Cmd 7891
Accession-		
Belize	14 Sep., 2005	
Entry into Force-		
Belize	14 Sep., 2005	

	<i>Date</i>	<i>Treaty Series and Command Nos.</i>
ROAD TRANSPORT (continued)		
<p>The Federal Republic of Germany objects that the amendments dated 27 June 2005 and 13 July 2005 were not consolidated. This would have been advisable for reasons of efficiency since the two amendments were made in close succession. The amendment dated 27 June 2005 concerns Annex 1, Appendix 1, paragraphs 2 and 4 of the ATP. Both paragraphs were however redrafted by the amendment of 13 July 2005, which contains a new version of the entire Annex 1, of the ATP and did not take account of the amendments of 27 June 2005. The revised version of Annex 1, therefore does not reflect the latest changes to those paragraphs. It is thus necessary for the amendments of 27 June 2005, to be considered before the new version enters Into force.</p> <p>In accordance with the provisions of paragraph 2 and 4 of article 18, of the Agreement, the proposal of amendments to Annex 1, Appendix 1, of the ATP is deemed not to have been accepted and is of no effect, the objection by the Government of Germany having been received by the Secretary- General before the expiry of the six-month period provided for in article 18 (2), i.e. before 27 December 2005.</p> <p>¹ Refer to depositary notification C.N.500.2005. TREATIES-3 of 27 June 2005 (Proposal of amendments to Annex 1, Appendix 1, of the ATP)</p>		
<p>Agreement concerning the establishing of Global Technical Regulations for Wheeled Vehicles, Equipment and Parts which can be Fitted and/or be Used on Wheeled Vehicles</p>	<p>Adopted London 25 June, 1998</p>	<p>127/2000 Cm 4925</p>
<p>Accession- Luxembourg</p>	<p>16 Sep., 2005</p>	
<p>Entry into Force- Luxembourg</p>	<p>15 Nov., 2005</p>	
SHIPPING		
<p>Convention on a Code of Conduct for Liner Conferences</p>	<p>Geneva 06 Apr., 1974</p>	<p>045/1987 Cm 213</p>
<p>Accession- Burundi Liberia</p>	<p>02 Nov., 2005 16 Sep., 2005</p>	
<p>Entry into Force- Burundi Liberia</p>	<p>02 May, 2006 16 Mar., 2006</p>	

SHIPPING (continued)

International Convention on Standards of Training, Certification and Watchkeeping for Seafarers 1978

London
01 Dec., 1978
-30 Nov., 1979

*Treaty Series
and
Command Nos.*

050/1984
Cmnd 9266

Note-

On 26 September 2003, Secretary-General of International Maritime Organization (IMO), as depositary, received the following communication from the government of the Government of the *United States of America* as follows:

Format of the New Certificate of Endorsement issued by the United States Coast Guard. A copy of the certificate of endorsement that provides a detailed description of the security features is attached.

DEPARTMENT OF HOMELAND SECURITY
USCG, CG-5611

ANNEX

STCW.2/Circ.15

New U.S. STCW Endorsement Design with Security in Mind...

The image shows a sample of the new U.S. STCW Endorsement form. It includes a stub on the left with a serial number '0000000' and a main endorsement card. The card features the U.S. Coast Guard seal, the text 'United States of America ISCOA', and a table for 'FUNCTION', 'LEVEL', and 'LIMITATIONS APPLYING (IF ANY)'. Below the table is a section for 'CAPACITY' and 'LIMITATIONS APPLYING (IF ANY)'. At the bottom, there are fields for 'Date of birth of the holder of the certificate', 'Signature of duly authorized official', and 'Name of duly authorized official'. Callouts point to various security features: 'SERIAL NUMBERS' (matching stub and endorsement), 'WATERMARKS' (U.S. Coast Guard Seal), and 'NEW GRAPHICS' (micro-printing, non-reproducible blue ink, fine line details).

The U.S. form was originally a black and white 8.5" x 11" document. The following enhancements have been made to the endorsement to make it a more secure and accountable document.

FORMAT CHANGE:
The new 8.5" x 11" forms will be supplied to the Coast Guard issuing offices on perforated pages in bound books. The forms are detached from the stub for preparation. The remaining stub provides a record of to whom, when, and by whom the endorsement was issued. This provides a backup to electronic records.

SERIAL NUMBERS:
The stub and endorsement will have matching serial numbers. This allows precision when referring to specific endorsements, and it ensures that each endorsement is unique.

WATERMARKS:
As another safeguard against counterfeiting, a watermark depicting the U.S. Coast Guard Seal is chemically etched into the paper.

NEW GRAPHICS:
The biggest improvements to the endorsements are the new graphics. They make it difficult to alter the form or to make a credible reproduction. Micro-printing, non-reproducible blue ink, and fine line details make this document more secure. The micro-printed line that can only be seen with magnification, light blue ink that is difficult for copiers or scanners to reproduce, and fine line details that are lost if copied, combine to make copied documents quickly recognizable. The photo of the mariner will be printed directly onto the endorsement. The photo will be maintained in the Coast Guard's national database of seafarer information.

SOCIAL SECURITY

European Code of Social Security [ETS No. 48]

Strasbourg
16 Apr., 1964

010/1969
Cmnd 3871

Signature-
Lithuania

15 Nov., 2005

	<i>Date</i>	<i>Treaty Series and Command Nos.</i>
TERRORISM		
International Convention Against the Taking of Hostages	New York 17 Dec., 1979 -31 Dec., 1980	081/1983 Cm 9100
Accession-		
Bahrain	16 Sep., 2005	
Kiribati	15 Sep., 2005	
Entry into Force-		
Bahrain	16 Oct., 2005	
Kiribati	15 Oct., 2005	
International Convention for the Suppression of Terrorist Bombings	New York 15 Dec., 1997	057/2001 Cm 5347
Accession -		
Kiribati	15 Sep., 2005	
St Vincent and the Grenadines	15 Sep., 2005	
United Arab Emirates (<i>with declaration* and reservation*</i>) .	23 Sep., 2005	
Entry into Force-		
Kiribati	15 Oct., 2005	
St Vincent and the Grenadines	15 Oct., 2005	
United Arab Emirates	23 Oct., 2005	
<i>Declaration*</i> [Translation: Original: Arabic]		
...subject to a reservation with respect to paragraph 1, of article 20, thereof, which relates to the settlement of disputes arising between States Parties, in consequence of which the United Arab Emirates does not consider itself bound by that paragraph concerning arbitration.		
<i>Reservation*</i> [Translation: Original: Arabic]		
Moreover, the Government of the United Arab Emirates will determine its jurisdiction over the offences in the cases provided for in article 6, paragraph 2, of the Convention and will notify the Secretary-General of the United Nations to that effect in accordance with paragraph 3, of that article.		
International Convention for the Suppression of the Financing of Terrorism	New York 09 Dec., 1999	028/2002 Cm 5550
Ratification-		
Bahamas (<i>with declaration*</i>)	01 Nov., 2005	
Democratic Republic Congo	28 Oct., 2005	
Jamaica (<i>with notification*</i>)	30 Sep., 2005	
Accession-		
Vanuatu	31 Oct., 2005	
United Arab Emirates (<i>with reservation*</i>)	23 Sep., 2005	

	<i>Date</i>	<i>Treaty Series and Command Nos.</i>
TERRORISM (continued)		
Entry into Force- Bahamas Democratic Republic Congo Jamaica Vanuatu United Arab Emirates	01 Dec., 2005 27 Nov., 2005 16 Oct., 2005 30 Nov., 2005 23 Oct., 2005	
<i>Declaration*</i>		
<p>"In accordance with article 2.2, of the Convention for the Suppression of the Financing of Terrorism, the Government of the Commonwealth of The Bahamas declares that it is not a party to the Agreements listed as items 5 to 9, in the annex referred to in paragraph 1, subparagraph (a), of the Convention and that those Agreements shall be deemed not to be included in the annex referred to in paragraph 1, subparagraph (a). Those Agreements are;</p>		
<p>Convention on the Physical Protection of Nuclear Material, adopted at Vienna on 3rd March 1980.</p>		
<p>Protocol for the Suppression of Unlawful Acts of Violence at Airports Serving International Civil Aviation, supplementary to the Convention for the Suppression of Unlawful Acts against Safety of Civil Aviation, done at Montreal on 24th February 1988.</p>		
<p>Convention for the Suppression of Unlawful Acts against the Safety of Maritime Navigation, done at Rome on 10th March 1988.</p>		
<p>Protocol for the Suppression of Unlawful Acts against the Safety of Fixed Platforms located on the Continental Shelf, done at Rome, on 10th March 1988.</p>		
<p>International Convention for the Suppression of Terrorist Bombings adopted by the General Assembly of the United Nations on 15th December 1997."</p>		
<i>Notification*</i>		
<p>Jamaica has established jurisdiction over the offences set forth in Article 2, with respect to the jurisdiction stated in Article 7(2) (c), which states;</p>		
<p>“A State Party may also establish its jurisdiction over any such offence when:</p>		
<p>...(c) The offence was directed towards or resulted in an offence referred to in Article 2, paragraph 1, subparagraph (a) or (b), committed in an attempt to compel that State to do or abstain from doing any act”.</p>		
<i>Reservation*</i>		
<p>[Translation: Original: Arabic]</p>		
<p>...subject to a reservation with respect to article 24, paragraph 1, thereof, in consequence of which the United Arab Emirates does not consider itself bound by that paragraph, which relates to arbitration.</p>		

	<i>Date</i>	<i>Treaty Series and Command Nos.</i>
<p>TERRORISM (continued)</p> <p>Note-</p> <p>On 24 Oct., 2005, the Secretary-General of the United Nations, as depositary, received from the government of <i>Belgium</i>, an Objection to the reservation made by Syrian Arab Republic upon accession¹, as follows;</p> <p><i>[Translation: Original: French]</i></p> <p>The Government of Belgium has examined the reservation formulated by the Syrian Arab Republic upon accession to the International Convention for the Suppression of the Financing of Terrorism, in particular the part of the reservations and declarations relating to the provisions of article 2, paragraph 1 (b), of the Convention, in which the Syrian Arab Republic declares that it considers "that acts of resistance to foreign occupation are not included under acts of terrorism". The Government of Belgium considers that this reservation seeks to limit the scope of the Convention on a unilateral basis, which is contrary to the object and purpose thereof, namely, the suppression of the financing of acts of terrorism, wherever and by whomever committed.</p> <p>Moreover, this reservation contravenes article 6, of the Convention, according to which "Each State Party shall adopt such measures as may be necessary, including, where appropriate, domestic legislation, to ensure that criminal acts within the scope of this Convention are under no circumstances justifiable by considerations of a political, philosophical, ideological, racial, ethnic, religious or other similar nature".</p> <p>The Government of Belgium recalls that, under article 19 (c), of the Vienna Convention on the Law of Treaties, no reservation may be formulated that is incompatible with the object and purpose of the Convention.</p> <p>The Government of Belgium therefore objects to the above-mentioned reservation made by the Syrian Arab Republic to the International Convention for the Suppression of the Financing of Terrorism. This objection shall not preclude the entry into force of the Convention between Belgium and the Syrian Arab Republic.</p> <p>¹ Refer to depositary notification C.N.326.2005. TREATIES-6 of 04 May 2005 (Syrian Arab Republic Accession)</p> <p>Note-</p> <p>On 15 September 2005, the Secretary-General of the United Nations, as depositary, received from the government of <i>Denmark</i>, an Objection to the reservation made by Syrian Arab Republic upon accession¹, as follows;</p> <p>"The Government of the Kingdom of Denmark has examined the reservation made by Government of the Syrian Arab Republic to the International Convention for the Suppression of the Financing of Terrorism upon accession to the Convention relating to Article 2, paragraph 1 (b), thereof.</p>		

	<i>Date</i>	<i>Treaty Series and Command Nos.</i>
<p>TERRORISM (continued)</p> <p>The Government of Denmark considers that the reservation made by the Government of the Syrian Arab Republic unilaterally limits the scope of the Convention and that the reservation is contrary to the Convention's object and purpose, namely the suppression of the financing of terrorist acts, irrespective of where they take place or who carries them out.</p> <p>The Government of Denmark further considers the reservation to be contrary to the terms of Article 6, of the Convention, according to which States Parties commit themselves to adopt such measures as may be necessary, including, where appropriate, domestic legislation, to ensure that criminal acts within the scope of this Convention are under no circumstances justifiable by considerations of a political, philosophical, ideological, racial, ethnic, religious or other similar nature.</p> <p>The Government of Denmark recalls that, according to Article 19(c) of the Vienna Convention on the Law of Treaties, a reservation incompatible with the object and purpose of the Convention shall not be permitted.</p> <p>¹ Refer to depositary notification C.N.326.2005. TREATIES-6 of 04 May 2005 (Syrian Arab Republic Accession)</p> <p>Note-</p> <p>In a Further note dated the 15 September 2005, the Secretary-General of the United Nations, as depositary, received from the government of <i>Denmark</i>, an Objection to the declaration made by Arab Republic of Egypt upon ratification¹, as follows:</p> <p>“The Government of the Kingdom of Denmark has examined the declaration relating to paragraph 1(b), of Article 2, of the International Convention for the Suppression of the Financing of Terrorism made by the Government of the Arab Republic of Egypt at the time of its ratification of the Convention. The Government of Denmark considers that the declaration made by the Government of the Arab Republic of Egypt to be a reservation that seeks to limit the scope of the Convention on a unilateral basis and which is contrary to its object and purpose, namely the suppression of the financing of terrorist acts, irrespective of where they take place or who carries them out.</p> <p>The Government of Denmark further considers the Declaration to be contrary to the terms of Article 6 of the Convention, according to which States Parties commit themselves to . adopt such measures as may be necessary, including, where appropriate, domestic legislation, to ensure that criminal acts within the scope of this Convention are under no circumstances justifiable by considerations of a political, philosophical, ideological, racial, ethnic, religious or other similar nature</p> <p>The Government of Denmark recalls that, according to Article 19(c), of the Vienna Convention on the Law of Treaties, a reservation incompatible with the object and purpose of the Convention shall not be permitted.</p>		

	<i>Date</i>	<i>Treaty Series and Command Nos.</i>
<p>TERRORISM (continued)</p> <p>The Government of Denmark therefore objects to the aforesaid reservation made by the Government of the Arab Republic of Egypt to the International Convention for the Suppression of the Financing of Terrorism. However, this objection shall not preclude the entry into force of the Convention as between the Kingdom of Denmark and the Arab Republic of Egypt”.</p> <p>¹ Refer to depositary notification C.N.176.2005. TREATIES-3 of 05 August 2005 (Egypt: Ratification)</p> <p>Note-</p> <p>On 15 September 2005, the Secretary-General of the United Nations, as depositary, received from the government of <i>Estonia</i>, an Objection to the declaration made by Arab Republic of Egypt upon ratification¹, as follows:</p> <p>“The Government of the Republic of Estonia has carefully examined the explanatory declaration relating to Article 2, paragraph 1, sub-paragraph (b), of the International Convention for the Suppression of the Financing of Terrorism made by the Government of the Arab Republic of Egypt at the time of its ratification of the Convention. The Government of Estonia considers the declaration made by Egypt to be in fact a reservation that seeks to limit unilaterally the scope of the Convention and is contrary to its object and purpose, namely the suppression of the financing of terrorist acts, irrespective of where they take place or who carries them out.</p> <p>The object and propose of the Convention is to suppress the financing of terrorist acts, including those defined in Article 2, paragraph 1, sub-paragraph (b). The Government of Estonia finds that such acts can never be justified with reference to resistance against foreign occupation and aggression with a view to liberation and self-determination.</p> <p>Furthermore, the Government of Estonia is in the position that the explanatory declaration is contrary to the terms of Article 6, of the Convention, according to which States Parties commit themselves to “adopt such measures as may be necessary, including, where appropriate, domestic legislation, to ensure that criminal acts within the scope of this Convention are under no circumstances justifiable by considerations of a political, philosophical, ideological, racial, ethnic, religious or other similar nature”,</p> <p>The Government of Estonia recalls that according to Article 19, sub-paragraph (c), of the Vienna Convention on the Law of Treaties, a reservation incompatible with the object and purpose of the Convention shall not be permitted. It is in the common interest of states that all parties respect the treaties to which they have chosen to become parties as to their object and purpose, and that states are prepared to take all necessary measures to comply with their obligations under the treaties.</p>		

	<i>Date</i>	<i>Treaty Series and Command Nos.</i>
<p>TERRORISM (continued)</p> <p>The Government of Estonia therefore objects to the aforementioned declaration made by the Government of Egypt to the International Convention for the Suppression of the Financing of the Financing of Terrorism. This objection shall not preclude the entry into force of the "Convention between the Republic of Estonia and the Syrian Arab Republic."</p> <p>¹ Refer to depositary notification C.N.176.2005. TREATIES-3 of 05 August 2005 (Egypt: Ratification)</p> <p>Note-</p> <p>In a Further note dated the 15 September 2005, the Secretary-General of the United Nations, as depositary, received from the government of <i>Estonia</i>, an Objection to the reservation made by Syrian Arab Republic upon accession¹, as follows:</p> <p>“The Government of the Republic of Estonia has carefully examined the reservation relating to Article 2, paragraph 1, sub-paragraph (b) of the International Convention for the Suppression of the Financing of Terrorism made by the Syrian Arab Republic at the time of its accession to the Convention. The Government of Estonia considers the Syrian reservation to be contrary to the object and purpose of the Convention, namely the suppression of the financing of terrorist acts, irrespective of where they take place or who carries them out.</p> <p>The object and purpose of the Convention is to suppress the financing of terrorist acts, including those defined in Article 2, paragraph 1, sub-paragraph (b). The Government of Estonia finds that such acts can never be justified with reference to resistance to foreign occupation.</p> <p>Furthermore, the Government of Estonia is in the position that the reservation is contrary to the terms of Article 6, of the Convention, according to which States Parties commit themselves to "adopt such measures as may be necessary, including, where appropriate, domestic legislation, to ensure that criminal acts within the scope of this Convention are under no circumstances justifiable by considerations of a political, philosophical, ideological, racial, ethnic, religious or other similar nature"</p> <p>The Government of Estonia recalls that according to Article 19, sub-paragraph (c) of the Vienna Convention on the Law of Treaties, a reservation incompatible with the object and purpose of the Convention shall not be permitted. It is in the common interest of states that all parties respect the treaties to which they have chosen to become parties as to their object and purpose, and that states are prepared to take all necessary measures to comply with their obligations under the treaties.</p>		

	<i>Date</i>	<i>Treaty Series and Command Nos.</i>
<p>TERRORISM (continued)</p> <p>The Government of Estonia therefore objects to the aforementioned reservation made by the Syrian Arab Republic to the International Convention for the Suppression of the Financing of Terrorism. This objection shall not preclude the entry into force of the "Convention between the Republic of Estonia and the Syrian Arab Republic."</p> <p>¹ Refer to depositary notification C.N.326.2005. TREATIES-6 of 04 May 2005 (Syrian Arab Republic Accession)</p> <p>Note-</p> <p>On 30 September 2005, the Secretary-General of the United Nations, as depositary, received from the government of <i>Latvia</i>, an Objection to the reservation made by Syrian Arab Republic upon accession¹, as follows;</p> <p>"The Government of the Republic of Latvia has examined the reservation made by the Syrian Arab Republic to the International Convention of the Suppression of the Financing of Terrorism upon accession to the Convention regarding Article 2, paragraph 1 (b), thereof.</p> <p>The Government of the Republic of Latvia is of the opinion that this reservation unilaterally limits the scope of the Convention and is thus in contradiction to the objectives and purposes of the Convention to suppress the financing of terrorist acts wherever and by whomsoever they may be carried out.</p> <p>Moreover, the Government of the Republic of Latvia considers that the reservation conflicts with the terms of Article 6, of the Convention setting out the obligation for State Parties to adopt such measures as may be necessary to ensure that criminal acts within the scope of the Convention are under no circumstances justifiable by considerations of a political, philosophical, ideological, racial, ethnic, religious or similar nature.</p> <p>The Government of the Republic of Latvia recalls that customary international law as codified by Vienna Convention on the Law of Treaties, and in particular Article 19 (c), sets out that reservations that are incompatible with the object and purpose of a treaty are not permissible.</p> <p>The Government of the Republic of Latvia therefore objects to the aforesaid reservation made by the Syrian Arab Republic to the International Convention for the Suppression of the Financing of Terrorism.</p> <p>However, this objection shall not preclude the entry into force of the Convention between the Republic of Latvia and the Syrian Arab Republic. Thus, the Convention will become operative without the Syrian Arab Republic benefiting from its reservation."</p> <p>¹ Refer to depositary notification C.N.326.2005. TREATIES-6 of 04 May 2005 (Syrian Arab Republic Accession)</p>		

	<i>Date</i>	<i>Treaty Series and Command Nos.</i>
<p>TERRORISM (continued)</p> <p>Note-</p> <p>In a Further note dated the 30 September 2005, the Secretary–General of the United Nations, as depositary, received from the government of <i>Latvia</i>, an Objection to the reservation made by Arab Republic of Egypt upon accession¹, as follows;</p> <p>"The Government of the Republic of Latvia has examined the explanatory reservation made by the Arab Republic of Egypt to the International Convention of the Suppression of the Financing of Terrorism upon accession to the Convention regarding Article 2, paragraph 1 (b), thereof.</p> <p>The Government of the Republic of Latvia is of the opinion that this explanatory declaration is in fact unilateral act that is deemed to limit the scope of the Convention and therefore should be regarded as reservation. Thus, this reservation contradicts to the objectives and purposes of the Convention to suppress the financing of terrorist acts wherever and by whomsoever they may be carried out.</p> <p>Moreover, the Government of the Republic of Latvia considers that the reservation conflicts with the terms of Article 6, of the Convention setting out the obligation for States Parties to adopt such measures as may be necessary to ensure that criminal acts within the scope of the Convention are under no circumstances justifiable by considerations of a political, philosophical, ideological, racial, ethnic, religious or similar nature.</p> <p>The Government of the Republic of Latvia recalls that customary international law as codified by Vienna Convention on the Law of Treaties, and in particular Article 19 (c), sets out that reservations that are incompatible with the object and purpose of a treaty are not permissible.</p> <p>The Government of the Republic of Latvia therefore objects to the aforesaid reservation made by the Arab Republic of Egypt to the International Convention for the Suppression of the Financing of Terrorism.</p> <p>However, this objection shall not preclude the entry into force of the Convention between the Republic of Latvia and the Arab Republic of Egypt. Thus, the Convention will become operative without the Arab Republic of Egypt benefiting from its reservation."</p> <p>¹ Refer to depositary notification C.N.176.2005. TREATIES-3 of 05 August 2005 (Egypt: Ratification)</p> <p>Note-</p> <p>On 30 August 2005, the Secretary–General of the United Nations, as depositary, received from the government of <i>Netherlands</i>, an Objection to the reservation made by Arab Republic of Egypt upon accession¹, as follows;</p>		

	<i>Date</i>	<i>Treaty Series and Command Nos.</i>
<p>TERRORISM (continued)</p> <p>"The Government of the Kingdom of the Netherlands has carefully examined the declaration made by the Arab Republic of Egypt. to the International Convention for the Suppression of the Financing of Terrorism upon ratification of the Convention relating to Article 2, paragraph 1 (b), thereof. It is of the opinion that this declaration amounts to a reservation, since its purpose is to unilaterally limit the scope of the Convention. The Government of the Kingdom of the Netherlands is furthermore of the opinion that the declaration is in contradiction to the object and purpose of the Convention, in particular the object of suppressing the financing of terrorist acts wherever and by whomever they may be committed.</p> <p>The declaration is further contrary to the terms of Article 6, of the Convention, according to which States Parties commit themselves to adopt such measures as may be necessary, including, where appropriate, domestic legislation, to ensure that criminal acts within the scope of this Convention are under no circumstances justifiable by considerations of a political, philosophical, ideological, racial, ethnic, religious or other similar nature.</p> <p>The Government of the Kingdom of the Netherlands recalls that, according to customary international law as codified in the Vienna Convention on the Law of Treaties, reservations that are incompatible with the object and purpose of a convention are not permissible.</p> <p>The Government of the Kingdom of the Netherlands therefore objects to the above-mentioned declaration by the Arab Republic of Egypt to the International Convention for the Suppression of the Financing of Terrorism. This objection shall not preclude the entry into force of the Convention as between the Kingdom of the Netherlands and the Arab Republic of Egypt."</p> <p>¹ Refer to depositary notification C.N.176.2005. TREATIES-3 of 05 August 2005 (Egypt: Ratification)</p> <p>Note-</p> <p>In a Further note dated the 30 August 2005, the Secretary-General of the United Nations, as depositary, received from the government of <i>Netherlands</i>, an Objection to the reservation made by Syrian Arab Republic upon accession¹, as follows;</p> <p>"The Government of the Kingdom of the Netherlands has carefully examined the reservation made by the Syrian Arab Republic to the International Convention for the Suppression of the Financing of Terrorism upon accession to the Convention relating to Article 2, paragraph 1 (b), thereof. It is of the opinion that this reservation unilaterally limits the scope of the Convention and is in contradiction to the object and purpose of the Convention, in particular the object of suppressing the financing of terrorist acts wherever and by whomever they may be committed.</p>		

	<i>Date</i>	<i>Treaty Series and Command Nos.</i>
<p>TERRORISM (continued)</p> <p>The reservation is further contrary to the terms of Article 6, of the Convention, according to which States Parties commit themselves to adopt such measures as may be necessary, including, where appropriate, domestic legislation, to ensure that criminal acts within the scope of this Convention are under no circumstances justifiable by considerations of a political, philosophical, ideological, racial, ethnic, religious or other similar nature.</p> <p>The Government of the Kingdom of the Netherlands recalls that, according to customary international law as codified in the Vienna Convention on the Law of Treaties, reservations that are incompatible with the object and purpose of a convention are not permissible.</p> <p>The Government of the Kingdom of the Netherlands therefore objects to the above-mentioned reservation by the Syrian Arab Republic to the International Convention for the Suppression of the Financing of Terrorism. This objection shall not preclude the entry into force of the Convention as between the Kingdom of the Netherlands and the Syrian Arab Republic.”</p> <p>¹ Refer to depositary notification C.N.326.2005. TREATIES-6 of 04 May 2005 (Syrian Arab Republic Accession)</p> <p>Note-</p> <p>On 04 October 2005, the Secretary-General of the United Nations, as depositary, received from the government of <i>Norway</i>, an Objection to the reservation made by Syrian Arab Republic upon accession¹, as follows;</p> <p>“The Government of Norway has examined the contents of the reservation relating to paragraph 1 (b), of article 2, to the Convention for the Suppression of the Financing of Terrorism made by the Syrian Arab Republic.</p> <p>The Government of Norway considers the reservation to be in contradiction with the object and purpose of the Convention, namely the suppression of the financing of terrorist acts wherever and by whomever they may be carried out.</p> <p>The reservation is, furthermore, contrary to the terms of Article 6, of the Convention according to which State Parties commit themselves to adopt measures as may be necessary to ensure that criminal acts within the scope of the Convention are under no circumstances justifiable by considerations of a political, ideological, racial, ethnic, religious or similar nature.</p> <p>The Government of Norway wishes to recall that according to customary international law as codified in the Vienna Convention on the Law of Treaties a reservation incompatible with the object and purposes of the Convention shall not be permitted.</p>		

	<i>Date</i>	<i>Treaty Series and Command Nos.</i>
<p>TERRORISM (continued)</p> <p>It is in the common interest of states that treaties to which they have chosen to become parties are respected as to their object and purpose and that states are prepared to undertake any legislative changes necessary to comply with the obligations under the treaties.</p> <p>The Government of Norway therefore objects to the above-mentioned reservations made by the Government of the Syrian Arab Republic to the Convention.</p> <p>This objection does not preclude the entry into force of the Convention between the Syrian Arab Republic and Norway. The Convention will thus become operative between the two states without the Syrian Arab Republic benefiting from its declaration”</p> <p>¹ Refer to depositary notification C.N.326.2005. TREATIES-6 of 04 May 2005 (Syrian Arab Republic Accession)</p> <p>Note-</p> <p>On 31 August 2005, the Secretary-General of the United Nations, as depositary, received from the government of <i>Portugal</i>, an Objection to the reservation made by Syrian Arab Republic upon accession¹, as follows;</p> <p>"The Government of Portugal considers that the declaration made by the Government of the Syrian Arab Republic is in fact a reservation that seeks to limit the scope of the convention on a unilateral basis and is therefore contrary to its object and purpose, which is the suppression of the financing of terrorist acts, irrespective of where they take place and who carries them out.</p> <p>The declaration is furthermore contrary to the terms of the Article 6, of the Convention according to which State Parties commit themselves to "adopt such measures as may be necessary, including, where appropriate, domestic legislation to ensure that criminal acts within the scope of this Convention are under no circumstances justifiable by considerations of a political, philosophical, ideological, racial, ethnic, religious or other similar nature".</p> <p>The Government of Portugal recalls that, according to Article 19 (c) of the Vienna Convention on the Law of Treaties, a reservation incompatible with the object and purpose of the Convention shall not be permitted.</p> <p>¹ Refer to depositary notification C.N.326.2005. TREATIES-6 of 04 May 2005 (Syrian Arab Republic Accession)</p> <p>Note-</p> <p>In a Further note dated the 31 August 2005, the Secretary-General of the United Nations, as depositary, received from the government of <i>Portugal</i>, an Objection to the reservation made by Arab Republic of Egypt upon accession¹, as follows;</p>		

	<i>Date</i>	<i>Treaty Series and Command Nos.</i>
<p>TERRORISM (continued)</p> <p>“The Government of Portugal considers that the declaration made by the Government of the Arab Republic of Egypt is in fact a reservation that seeks to limit the scope of the convention on a unilateral basis and is therefore contrary to its object and purpose, which is the suppression of the financing of terrorist acts, irrespective of where they take place and who carries them out.</p> <p>The declaration is furthermore contrary to the terms of the Article 6 of the Convention according to which State Parties commit themselves to "adopt such measures as may be necessary, including, where appropriate, domestic legislation to ensure that criminal acts within the scope of this Convention are under no circumstances justifiable by considerations of a political, philosophical, ideological, racial, ethnic, religious or other similar nature".</p> <p>The Government of Portugal recalls that, according to Article 19 (c), of the Vienna Convention on the Law of Treaties, a reservation incompatible with the object and purpose of the Convention shall not be permitted.</p> <p>The Government of Portugal therefore objects to the aforesaid reservation made by the Government of the Arab Republic of Egypt to the International Convention for the Suppression of the Financing of Terrorism. However, this objection shall not preclude the entry into force of the Convention between Portugal and the Arab Republic of Egypt.”</p> <p>¹ Refer to depositary notification C.N.176.2005. TREATIES-3 of 05 August 2005 (Egypt: Ratification)</p> <p>Note-</p> <p>On 05 October 2005, the Secretary-General of the United Nations, as depositary, received from the government of <i>Sweden</i>, an Objection to the reservation made by Arab Republic of Egypt upon accession¹, as follows;</p> <p>"The Government of Sweden has examined the explanatory declaration made by the Government of the Arab Republic of Egypt upon ratification of the International Convention for the Suppression of the Financing of Terrorism, according to which the Arab Republic of Egypt does not consider acts of national resistance in all its forms, including armed resistance against foreign occupation and aggression with a view of liberation and self-determination, as terrorist acts within the meaning of paragraph 1 (b) of Article 2, of the Convention.</p> <p>The Government of Sweden recalls that the designation assigned to a statement whereby the legal effect of certain provisions of a treaty is excluded or modified does not determine its status as a reservation to the treaty. The Government of Sweden considers that the declaration made by the Government of the Arab Republic of Egypt in substance constitutes a reservation.</p>		

	<i>Date</i>	<i>Treaty Series and Command Nos.</i>
<p>TERRORISM (continued)</p> <p>The object and purpose of the Convention is to suppress the financing of terrorist acts, including those defined in paragraph 1 (b) of Article 2, of the Convention. Such acts can never be justified with reference to the exercise of people's right to self-determination.</p> <p>The Government of Sweden further considers the reservation to be contrary to the terms of Article 6, of the Convention, according to which the States parties are under an obligation to adopt such measures as may be necessary, including, where appropriate, domestic legislation, to ensure that criminal acts within the scope of the Convention are under no circumstances justifiable by considerations of a political, philosophical, ideological, racial, ethnic, religious or other similar nature.</p> <p>The Government of Sweden wishes to recall that, according to customary international law as codified in the Vienna Convention on the Law of Treaties, a reservation incompatible with the object and purpose of a treaty shall not be permitted. It is in the common interest of States that treaties to which they have chosen to become parties are respected as to their object and purpose, and that States are prepared to undertake any legislative changes necessary to comply with their obligations under the treaties.</p> <p>The Government of Sweden therefore objects to the reservation made by the Arab Republic of Egypt to the International Convention for the Suppression of the Financing of Terrorism. This objection shall not preclude the entry into force of the Convention between the Arab Republic of Egypt and Sweden. The Convention enters into force between the Arab Republic of Egypt and Sweden without the Arab Republic of Egypt benefiting from its reservation.”</p> <p>¹ Refer to depositary notification C.N.176.2005. TREATIES-3 of 05 August 2005 (Egypt: Ratification)</p> <p>Note-</p> <p>In a Further note dated the 05 October 2005, the Secretary–General of the United Nations, as depositary, received from the government of <i>Sweden</i>, an Objection to the reservation made by Syrian Arab Republic upon accession¹, as follows;</p> <p>“The Government of Sweden has examined the reservation made by the Government of the Syrian Arab Republic upon accession to the International Convention for the Suppression of the Financing of Terrorism, according to which the Syrian Arab Republic considers that acts of resistance to foreign occupation are not included under acts of terrorism within the meaning of paragraph 1(b) of Article 2, of the Convention.</p> <p>The object and purpose of the Convention is to suppress the financing of terrorist acts, including those defined in paragraph 1 (b) of Article 2, of the Convention. Such acts can never be justified with reference to the exercise of people's right to self-determination.</p>		

TERRORISM (continued)

The Government of Sweden further considers the reservation to be contrary to the terms of Article 6, of the Convention, according to which the States parties are under an obligation to adopt such measures as may be necessary, including, where appropriate, domestic legislation, to ensure that criminal acts within the scope of the Convention are under no circumstances justifiable by considerations of a political, philosophical, ideological, racial, ethnic, religious or other similar nature.

The Government of Sweden wishes to recall that, according to customary international law as codified in the Vienna Convention on the Law of Treaties, a reservation incompatible with the object and purpose of a treaty shall not be permitted. It is in the common interest of States that treaties to which they have chosen to become parties are respected as to their object and purpose, and that States are prepared to undertake any legislative changes necessary to comply with their obligations under the treaties.

The Government of Sweden therefore objects to the reservation made by the Syrian Arab Republic to the International Convention for the Suppression of the Financing of Terrorism. This objection shall not preclude the entry into force of the Convention between the Syrian Arab Republic and Sweden. The Convention enters into force between the Syrian Arab Republic and Sweden, without the Syrian Arab Republic benefiting from its reservation.”

¹ Refer to depositary notification C.N.326.2005. TREATIES-6 of 04 May 2005 (Syrian Arab Republic Accession)

TRAVEL

Convention and Statute on Freedom of Transit

Barcelona
20 Apr., 1921
-01 Dec., 1921
027/1923
Cmd. 1992

Accession-

Liberia 16 Sep., 2005

Entry into Force-

Liberia 15 Dec., 2005

UNITED NATIONS

Charter of the United Nations and Statute of the International Court of Justice

San Francisco
26 June, 1945
TS 067/1946
Cmd 7015

Note-

On 02 September 2005, the Secretary–General of the United Nations, as depositary, received from the government of Djibouti, a declaration¹, as follows;

Declaration recognising as compulsory the jurisdiction of the International Court of Justice.

	<i>Date</i>	<i>Treaty Series and Command Nos.</i>
<p>UNITED NATIONS (continued)</p> <p>Desiring, on the one hand, to reach a peaceful and equitable settlement of all international disputes, including those in which it may be involved, and, on the other hand, to make a contribution to the further development and consolidation of international law, the Republic of Djibouti, in accordance with Article 36 (2), of the Statute of the International Court of Justice, hereby declares that it recognizes as compulsory ipso facto and without special agreement, in relation to any other State accepting the same obligation, the jurisdiction of the International Court of Justice in all legal disputes concerning;</p> <p>(a) The interpretation of a treaty;</p> <p>(b) Any question of international law;</p> <p>(c) The existence of any fact which, if established, would constitute a breach of an international obligation;</p> <p>(d) The nature and extent of the reparation to be made for the breach of an international obligation; with the reservation, however, that this declaration shall not apply to:</p> <ol style="list-style-type: none"> 1. Disputes in regard to which the parties to the dispute have agreed or shall agree to have recourse to some other method or methods of settlement; 2. Disputes in regard to matters, which are exclusively within the domestic jurisdiction of the Republic of Djibouti, under international law; 3. Disputes relating to or connected with facts or situations of hostilities, armed conflicts, individual or collective actions taken in self-defence, resistance to aggression, fulfilment of obligations imposed by international bodies and other similar or related acts, measures or situations in which the Republic of Djibouti is, has been or may in future be involved; 4. Disputes concerning the interpretation or application of a multilateral treaty unless all the parties to the treaty are also parties to the case before the Court or the Government of Djibouti specially agrees to jurisdiction of the Court; 5. Disputes with the Government of any State with which, on the date of an application to bring a dispute before the Court, the Government of Djibouti has no diplomatic relations or which has not been recognized by the Government of Djibouti; 6. Disputes with non-sovereign States or territories; 7. Disputes with the Republic of Djibouti concerning or relating to: <ol style="list-style-type: none"> (a) The status of its territory or the modification or delimitation of its frontiers or any other matter concerning boundaries; 		

	<i>Date</i>	<i>Treaty Series and Command Nos.</i>
UNITED NATIONS (continued)		
<p>(b) The territorial sea, the continental shelf and the margins, the exclusive fishery zone, the exclusive economic zone and other zones of national maritime jurisdiction including for the regulation and control of marine pollution and the conduct of scientific research by foreign vessels;</p> <p>(c) The condition and status of its islands, bays and gulfs;</p> <p>(d) The airspace superjacent to its land and maritime territory;</p> <p>and</p> <p>(e) The determination and delimitation of its maritime boundaries.</p> <p>This declaration is made for a period of five years, without prejudice to the right of denunciation and modification which attaches to any commitment undertaken by the State in its international relations.</p> <p>It shall take effect on the date of its receipt by the Secretary-General of the United Nations. Djibouti, 18 July 2005</p> <p>[Signed and sealed] Mahmoud Ali Youssouf Minister for Foreign Affairs and International Cooperation</p>		

INDEX

<i>Subject</i>	<i>Page</i>	<i>Subject</i>	<i>Page</i>
Animals & Conservation	1-3	Miscellaneous, Economic & Financial	60
Atomic Energy	3	Nationality & Passports	61
Aviation	3-4	Oceanography	61
Cultural Property	4-5	Plants and Pests	61-62
Customs	5-7	Pollution	62-63
Defence	7	Private International Law	64-73
Diplomatic & Consular Relations	7	Privileges and Immunities-	73
Disarmament	7-10	Publications	74
Disputes	10	Refugees	74
Drugs	10-11	Road Transport	74
Extradition	11-12	Shipping	75-76
Health	12-14	Social Security	76
Human Rights	15-34	Statistics	77
Intellectual Property	34-58	Space	77
International Criminal Court	58	Telecommunication	77
Law of Sea	59-60	Terrorism	78-91
Law of Treaties	60	Travel	91
		United Nations	91-93

ISBN 0-10-167762-6



9 780101 677622